

Sumitomo Drive Technologies
Always on the Move

PARAMAX[®] 9000 Series
Agitator Drives



No. G2601E-2

Agitator Drives

Features

1. Easy to mount

- Flange mounting
- Compact gearbox allows simpler mounting base.
- Oil pump requires no electricity.

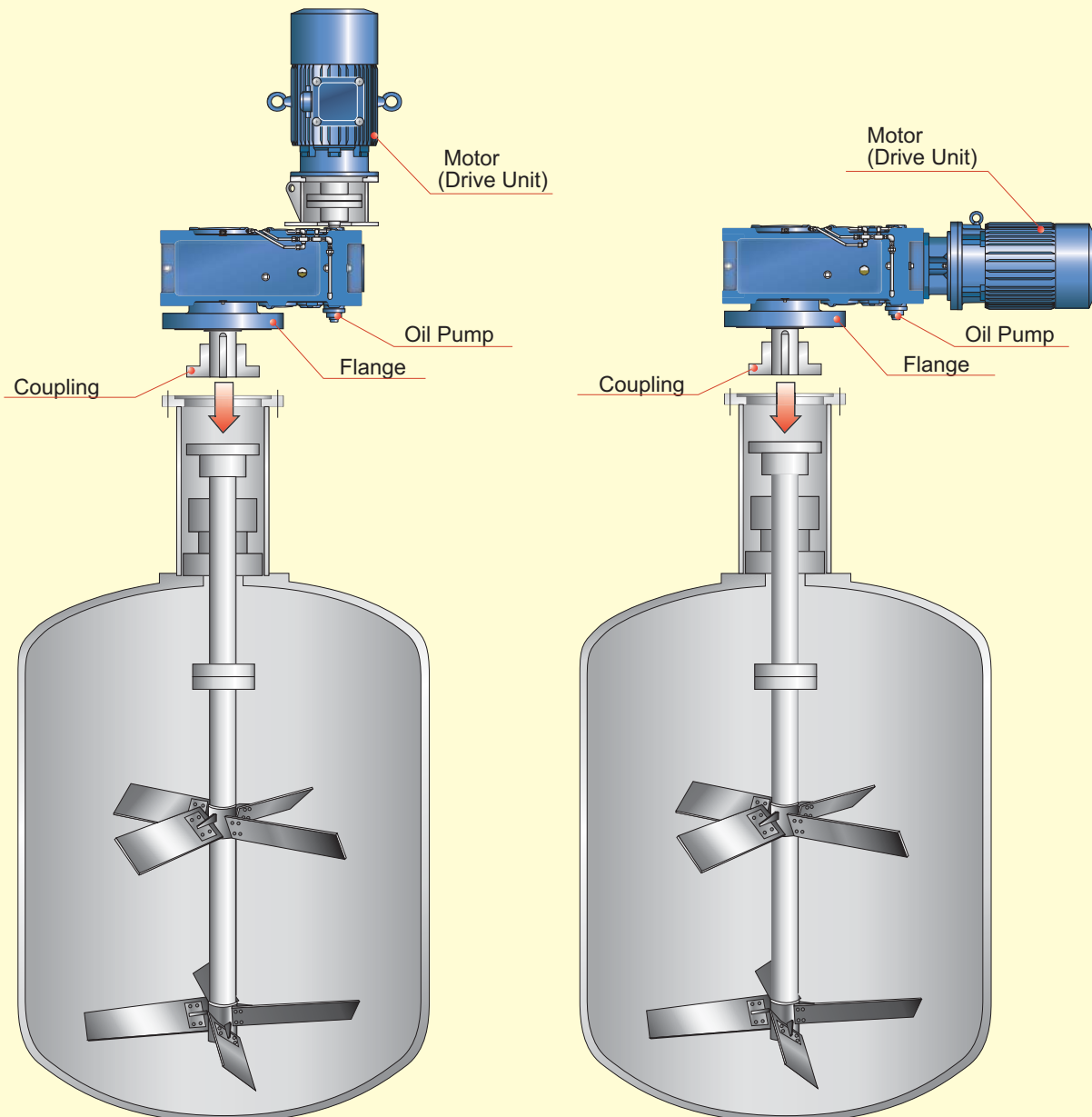
2. Compact

- Right angle drive unit increases head room

3. Drive package including explosion proof motor

- Motor (NEMA, IEC)
eG3, d2G4
- Coupling
- Anti corrosion paint

Flange Mounting

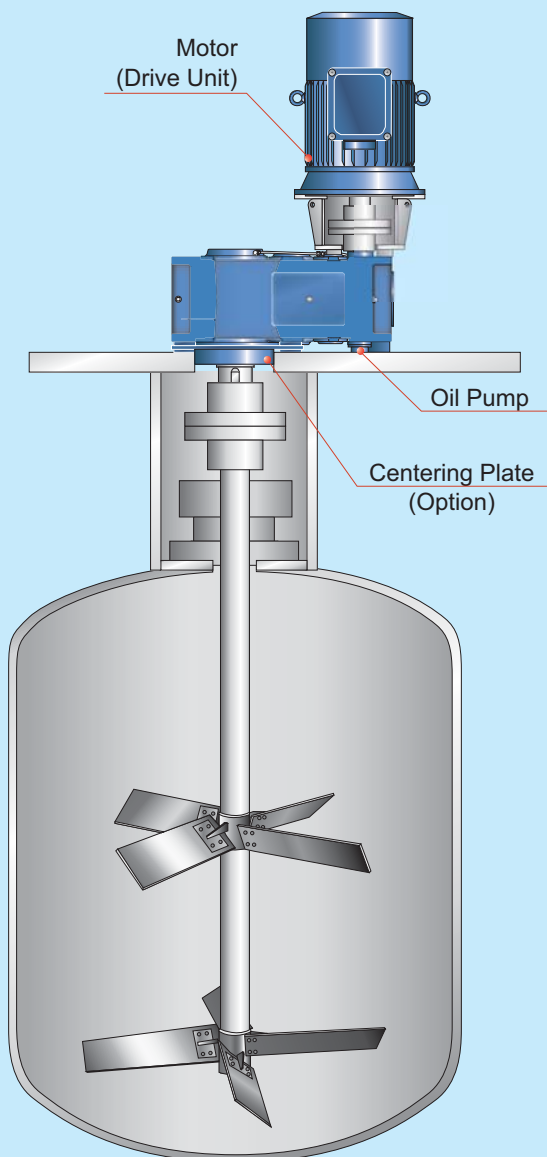


4. High reliability for 24 hours continuous operation

- 25 deg pressure angle tooth form produces stronger gearing.
- Gears are carburized, heat treated and finished to the highest standards of accuracy.



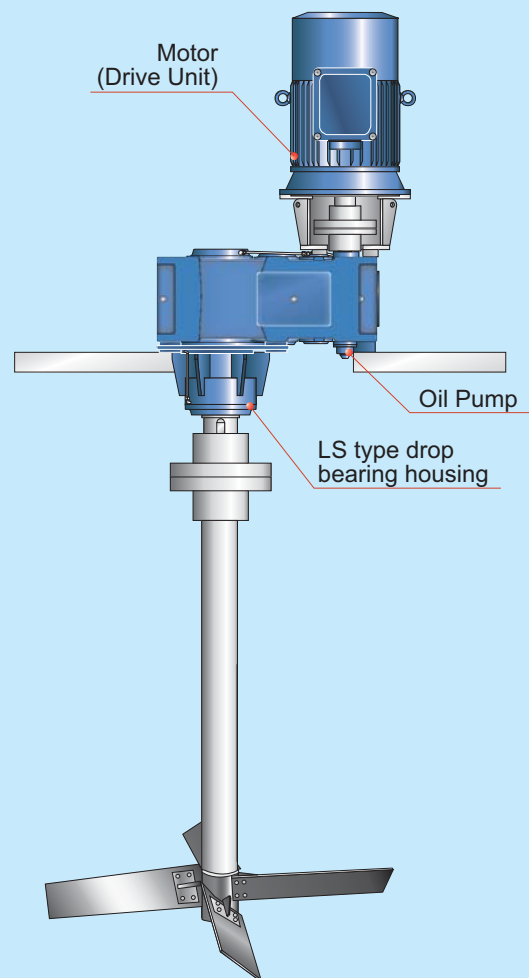
Standard



Drop Bearing Housing

Connected with impeller directly

- LS type bearing housing
- Large allowable over hung load & thrust load on output shaft



Available Combination

Drive Unit

Reducer



Parallel Shaft



Right Angle Shaft



Parallel Shaft



Right Angle Shaft

Drive Unit Right Angle Shaft

Nominal Ratio		10	11.2	12.5	14	16	18	20	22.4	25	28	31.5	35.5	40	45	50	56	63	71	80	90	100	
Output Speed r/min	60Hz	180	161	144	129	113	100	90	80	72	64	57	51	45	40	36	32	29	25	23	20	18	
	50Hz	150	134	120	107	94	83	75	67	60	54	48	42	38	33	30	27	24	21	19	17	15	
kW (4P)	5.5																						
	7.5																						
	11																						
	15																						
	18.5																						
	22																						
	30																						
	37																						
	45																						
	55																						

Drive Unit Parallel Shaft

Nominal Ratio		10	11.2	12.5	14	16	18	20	22.4	25	28	31.5	35.5	40	45	50	56	63	71	80	90
Output Speed r/min	60Hz	180	161	144	129	113	100	90	80	72	64	57	51	45	40	36	32	29	25	23	20
	50Hz	150	134	120	107	94	83	75	67	60	54	48	42	38	33	30	27	24	21	19	17
kW (4P)	5.5																				
	7.5																				
	11																				
	15																				
	18.5																				
	22																				
	30																				
	37																				
	45																				
	55																				
75																					
90																					
110																					

Reducer

Nominal Ratio		10	11.2	12.5	14	16	18	20	22.4	25	28	31.5	35.5	40	45	50	56	63	71	80	90	100
Size	9015																					
	9025																					
	9030																					
	9035																					
	9040																					
	9045																					
	9050																					
	9055																					
	9060																					
	9065																					
	9070																					
	9075																					
	9080																					
	9085																					
	9090																					
	9095																					
	9100																					
	9105																					
	9110																					
	9115																					

Available Combination

Basic Motor

1. 3-Phase Induction Motors (4 Pole)

Standard Motor

○:Standard Insulation
●:Manufactured per request

Capacity kW	Indoor Type	Outdoor Type	Corrosion -Proof Class2	Specifications				
				Insulation Class			Inverter Motors (Constant Torque)	
				B	F	H	Indoor	Outdoor
5.5	●	●	●	○	●	●	●	●
7.5	●	●	●	○	●	●	●	●
11	●	●	●	○	●	●	●	●
15	●	●	●	○	●	●	●	●
18.5	●	●	●	○	●	●	●	●
22	●	●	●	○	●	●	●	●
30	●	●	●		○	●	●	●
37	●	●	●		○	●	●	●
45	●	●	●		○	●	●	●
55	●	●	●		○	●	●	●
Remarks	Continuous Rating, 55kW and under Applicable Voltage: 200V 50/60Hz, 220V 60Hz(400V 50/60Hz, 440V 60Hz) The base frequency for inverter drive is 60Hz							

Brake Motor

Capacity kW	Indoor Type	Outdoor Type	Corrosion -Proof Class2	Specifications				
				Insulation Class			Inverter Motors (Constant Torque)	
				B	F	H	Indoor	Outdoor
5.5	●	●	●	○	●	●	●	●
7.5	●	●	●	○	●	●	●	●
11	●	●	●	○	●	●	●	●
15	●	●	●	○	●	●	●	●
18.5	●	●	●	○	●	●	●	●
22	●	●	●	○	●	●	●	●
30	●	●	●		○	●	●	●
37	●	●	●		○	●	●	●
Remarks	Continuous Rating, Brake Insulation Class: B Applicable Voltage: 200V 50/60Hz, 220V 60Hz(400V 50/60Hz, 440V 60Hz) The base frequency for inverter drive is 60Hz							

2. Explosion-proof 3-Phase Induction Motors (4 Pole)

Safety Increased Explosion-proof (eG3) Motor



Capacity kW	Indoor Type	Outdoor Type	Corrosion -Proof Class2	Specifications	
				Insulation Class	
				B	F
5.5	●	●	●	○	●
7.5	●	●	●	○	●
11	●	●	●	○	●
15	●	●	●	○	●
18.5	●	●	●	○	●
22	●	●	●	○	●
30	●	●	●		○
37	●	●	●		○
45	●	●	●		○
55	●	●	●		○
Remarks	Continuous Rating Applicable Voltage: 200V, 220V, 350V, 380V, 400V, 440V 50/60Hz				

Pressure-tight Explosion-proof (d2G4) Motor

Capacity kW	Indoor Type	Outdoor Type	Corrosion -Proof Class2	Specifications	
				Insulation Class	
				B	Inverter Motors (Constant Torque) Indoor Type
5.5	●	●	●	○	●
7.5	●	●	●	○	●
11	●	●	●	○	●
15	●	●	●	○	●
18.5	●	●	●	○	●
22	●	●	●	○	●
30	●	●	●		○
37	●	●	●		○
Remarks	Continuous Rating Applicable Voltage: 200V, 220V, 350V, 380V, 400V, 440V 50/60Hz (Inverter Motor: 200V60Hz, 220V60Hz, 400V60Hz, 440V60Hz) Applicable Inverter: Applicable only to Sumitomo Inverters.				

Notes : If you need other motor not listed on the above tables. please consult us.

Nomenclature

PV	A	9055	R	3		R	M	L	J		45
Series	Housing	Size	Torque kNm	Shaft Position	Number of Gear Stages	Drop Bearing Housing	Shaft Arrangement	Motor	Flange Mount	Fan	Nominal Ratio
PV Paramax Vertical Mount	A Monoblock (9015~ 9055)	9015	2.6	R Right Angle 	2	(Blank)	RL	M With Motor (Drive Unit)	(Blank)	(Blank)	10~100
		9025	4.2			Without					
		9030	6.4			LS Type					
		9035	8.5			Drop					
		9040	10.1			Bearing					
		9045	13.2			Housing					
		9050	15.3								
	9055	19.9									
	D Split (9060~ 9115)	P Parallel 	9060	24.4	3	L	LL	(Blank) Without Motor (Reducer)	J Flange Mount	F With Fan	10~100
			9065	31.4							
			9070	38.2							
			9075	47.8							
			9080	58.5							
			9085	73.1							
			9090	85.9							
9095			101								
9100	122										
9105	144										
9110	174										
9115	207										

Standard Specifications

	Items	Standard Specification
Reducer	Mounting	Vertical Shaft
	High Speed Shaft Speed	400~1800 r/min
	Lubricant	pump lubrication
	Gear	All gears are manufactured from vacuum degassed alloy steel and are finished to high accuracy.
Motor	Brake	without break, or with built-in brake
	Power	Without Brake: 5.5kW x 4P ~ 55kW x 4P 3Phase With Brake: 5.5kW x 4P ~ 37kW x 4P 3Phase
Ambient Conditions	Installation location	Indoor(Consult us for outdoor use)
	Ambient temperature	-10°C ~ 40°C
	Abmient humidity	under 85%
	Elevation	under 1,000 meters
	Atmosphere	Well ventilated location, free of corrosive gases, explosive gases, vapors and dust.

PARAMAX DRIVE is shipped without lubrication oil. Supply oil within the range shown on the dip stick or oil gauge before operation. The table on the right shows appropriate viscosity of oil based on ISO and AGMA for respective ambient temperatures and slow speed shaft speed. When the ambient temperature is lower than -10 degC or higher than +50degC, a heating or cooling unit is necessary, in general.

Slow Speed Shaft Speed		Ambient Temperature		
		-10deg to +15deg	0deg to +30deg	+10deg to +50deg
Over 100r/min	ISO* AGMA	VG68 2EP	VG150 4EP	VG220 5EP
Under 100r/min	ISO* AGMA	VG100 3EP	VG220 5EP	VG320 6EP

*Kinetic Viscosity (cSt) at ISO 40deg.

Gear Oil	Brand	BP	CASTROL			CHEVRON TEXACO		EXXON MOBIL		SHELL	TOTAL
	ISO VG68 AGMA 2EP	ENERGOL GR-XP-68	ALPHA SP68	OPTIGEAR BM68	TRIBOL 1100/68	GEAR COMPOUNDS EP68	MEROPA WM68	SPARTAN EP68	MOBIL-GEAR 626	OMALA 68	CARTER EP68
	ISO VG100 AGMA 3EP	ENERGOL GR-XP-100	ALPHA SP100	OPTIGEAR BM100	TRIBOL 1100/100	GEAR COMPOUNDS EP100	MEROPA WM100	SPARTAN EP100	MOBIL-GEAR 627	OMALA 100	CARTER EP100
	ISO VG150 AGMA 4EP	ENERGOL GR-XP-150	ALPHA SP150	OPTIGEAR BM150	TRIBOL 1100/150	GEAR COMPOUNDS EP150	MEROPA WM150	SPARTAN EP150	MOBIL-GEAR 629	OMALA 150	CARTER EP150
	ISO VG220 AGMA 5EP	ENERGOL GR-XP-220	ALPHA SP220	OPTIGEAR BM220	TRIBOL 1100/220	GEAR COMPOUNDS EP220	MEROPA WM220	SPARTAN EP220	MOBIL-GEAR 630	OMALA 220	CARTER EP220
	ISO VG320 AGMA 6EP	ENERGOL GR-XP-320	ALPHA SP320	OPTIGEAR BM320	TRIBOL 1100/320	GEAR COMPOUNDS EP320	MEROPA WM320	SPARTAN EP320	MOBIL-GEAR 632	OMALA 320	CARTER EP320
Bearing grease	ENER-GREASE LS EP2	SPHEEROL AP3	Olista Long- time 3EP	TRIBOL 3020/1000-2	DURALITH GREASE 68	MULTI- FAK EP2	BEACON EP2	MOBIL-PLEX 48	ALVANIA EP2	MULTIS EP2	

Painting Specifications

Painting Area	Application	Surface Conditioning	Paint Specification				
			Finish Coat	Type	Coating	Thickness μ	Type of Coating
Outside Painting	Indoor standard coat	Cast Iron Class 1	Modified epoxy	Under	2	40~80	Modified alkyd resin
	Finish			1	15~30	Vinyl modified epoxy resin	
	Indoor anti-corrosion area, Chemical plant		Epoxy	Under	2	40~80	Special permeability epoxy aluminum paint
				Finish	3	120~240	Polyamide epoxy
Outdoor anti-corrosion area, Chemical plant	Steel Plate Class 2	Polyurethane	Under	2	40~80	Special permeability epoxy aluminum paint	
			Finish	3	45~90	Polyisocyanate urethane resin paint	
Inside Painting	For all application (Standard inside painting)	Cast Iron Class 1 Steel Plate Class 3	-	-	1	20~40	Modified alkyd resin

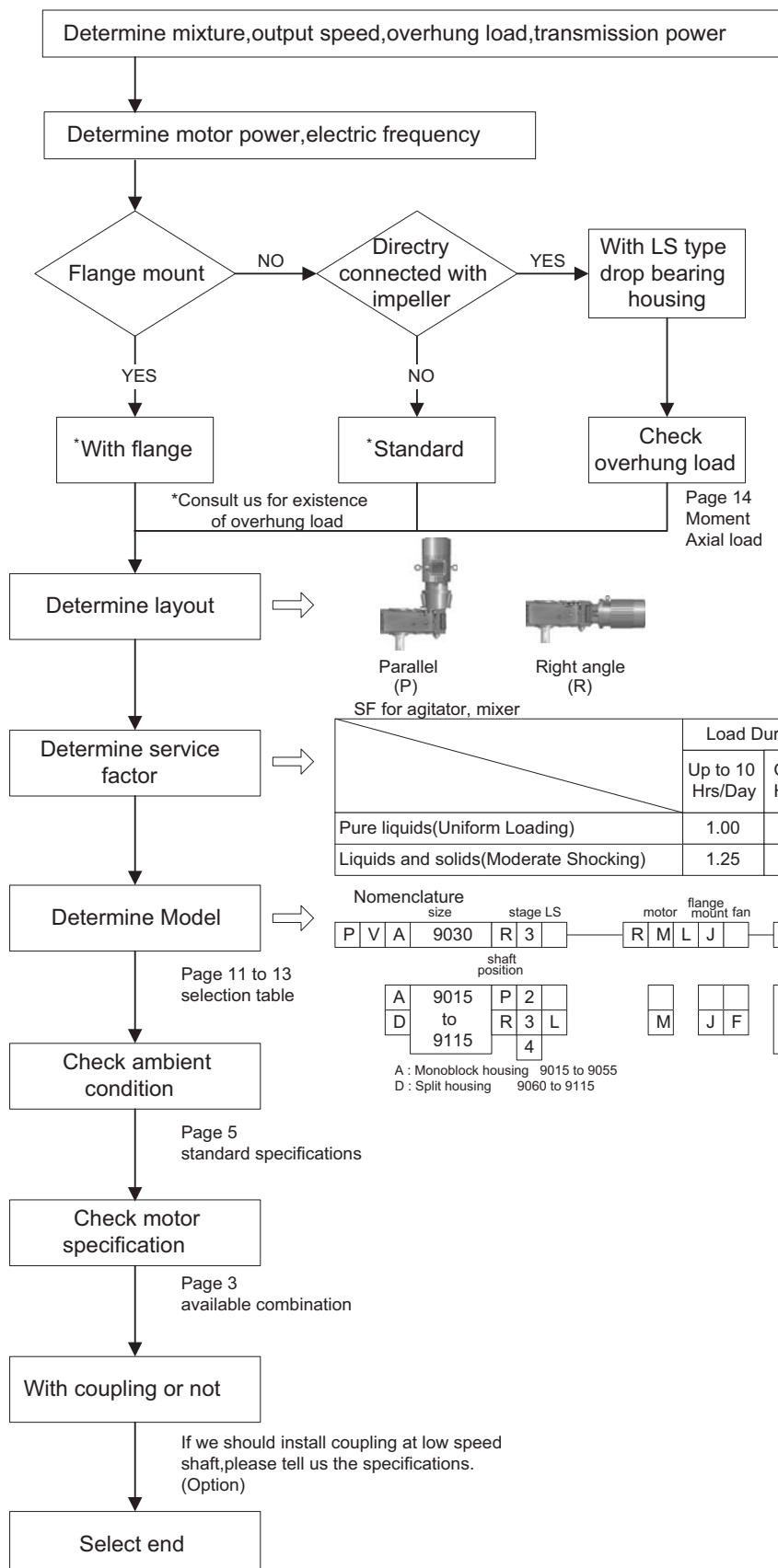
Application Data Sheet

Enter the required specifications below when inquiring about PARAMAX 9000 agitator drive

Application	<input type="checkbox"/> Mixing <input type="checkbox"/> Salting-out <input type="checkbox"/> Liquefying	<input type="checkbox"/> Polymerization <input type="checkbox"/> Melting <input type="checkbox"/> ()	<input type="checkbox"/> Crystallization <input type="checkbox"/> Condensation
Mixture	<input type="checkbox"/> Pure liquids (Uniform Loading)	<input type="checkbox"/> Liquids and solids (Moderate Shocking)	
Installation environment	<input type="checkbox"/> Indoor <input type="checkbox"/> Acid treating plant	<input type="checkbox"/> Outdoor <input type="checkbox"/> Chemical plant area	<input type="checkbox"/> Seaside <input type="checkbox"/> Chemical plant
Explosion-proof	<input type="checkbox"/> Safety increased explosion-proof	<input type="checkbox"/> Pressure-tight explosion-proof	<input type="checkbox"/> ()
Special environment Ambient temperature	<input type="checkbox"/> Tropical treatment min _____ °C	<input type="checkbox"/> () max _____ °C	
Motor	<input type="checkbox"/> Sumitomo prepare <u>Special specifications of motor</u> <u>Based standard</u>	<input type="checkbox"/> Supplied by customer	<input type="checkbox"/> Customer prepare
Speed change	<input type="checkbox"/> Constant speed <input type="checkbox"/> Inverter <input type="checkbox"/> Pole change <input type="checkbox"/> Variator	_____ r/min <input type="checkbox"/> Diminish torque <input type="checkbox"/> Constant torque <input type="checkbox"/> Constant power <input type="checkbox"/> Constant torque <u>Type</u> <u>Max speed</u> kW r/min <u>Min speed</u> kW r/min	 ~ _____ r/min ~ _____ r/min ~ _____ r/min <input type="checkbox"/> Constant power
SF	<input type="checkbox"/> 1 <input type="checkbox"/> ()	<input type="checkbox"/> 1.25	<input type="checkbox"/> 1.5
Shaft position Low speed shaft	<input type="checkbox"/> Right angle <input type="checkbox"/> Solid shaft <input type="checkbox"/> Hollow shaft	<input type="checkbox"/> Parallel <input type="checkbox"/> Shrink disc type <input type="checkbox"/> Key type	
Low speed shaft position High speed shaft connection	<input type="checkbox"/> Downward <input type="checkbox"/> Motor built-in <input type="checkbox"/> Motor separate	<input type="checkbox"/> Upside <input type="checkbox"/> Flexible coupling <input type="checkbox"/> Pulley & belt	~ _____ r/min <u>Radial load</u> N
Low speed shaft connection	<input type="checkbox"/> Sumitomo prepare <input type="checkbox"/> Flexible coupling <input type="checkbox"/> Sumitomo prepare	<input type="checkbox"/> Rigid coupling	<input type="checkbox"/> ()
	<u>Radial load</u> N, From mounting area mm <u>Axial load</u> N	<input type="checkbox"/> Upward <input type="checkbox"/> Both direction	<input type="checkbox"/> Downward
Paint specification	<input type="checkbox"/> Standard(indoor) <input type="checkbox"/> Rust proof <input type="checkbox"/> Extra rust proof <input type="checkbox"/> Customer's specification _____	<input type="checkbox"/> Modified epoxy <input type="checkbox"/> Phenol <input type="checkbox"/> Epoxy	<input type="checkbox"/> Chloride rubber <input type="checkbox"/> Polyurethane
Cooling system	<input type="checkbox"/> Entrust to SUMITOMO <input type="checkbox"/> Oil cooler	<input type="checkbox"/> None <input type="checkbox"/> ()	<input type="checkbox"/> Cooling fan
Option	<input type="checkbox"/> Centering plate <input type="checkbox"/> Drain valve	<input type="checkbox"/> Drop bearing housing <input type="checkbox"/> ()	<input type="checkbox"/> Air breather

Agitator Drives

Selection



Example

○ Conditions ■ Selected item

- Mixture : Pure liquid
- Output speed : 33r/min
- Overhung load : None
- Transmission power : 17kW
- Motor power : 18.5kW
- Electric frequency : 200V50Hz

- Flange mount
- With flange

- Right angle, With motor
- Shaft position : R

- Pure liquid, 24hrs/day
- SF : 1.25

- Size : 9030
- Stage : 3
- Ratio : 45
- Model : PVA9030R3-RMLJ-45

- Indoor
- Ambient temperature : 20°C
- OK

- 200V 50Hz
- Indoor, Without brake
- OK

- With coupling
- Tell us specifications of coupling.

- PVA9030R3-RMLJ-45
- With flange
- Motor 200V 50Hz
- Indoor, Without brake
- With coupling

Agitator Drives

Drive Unit Right Angle Shaft

Shaft Position	High Speed Shaft Speed	Ambient Temperature
Right Angle Shaft	1500r/min	40 Degree C

KW	SF	Low Speed Shaft Speed(r/min)																				
		150	134	120	107	94	83	75	67	60	54	48	42	38	33	30	27	24	21	19	17	15
		10	11.2	12.5	14	16	18	20	22.4	25	28	31.5	35.5	40	45	50	56	63	71	80	90	100
5.5	1																					
	1.25																					
	1.5																					
7.5	1																					
	1.25																					
	1.5																					
11	1																					
	1.25																					
	1.5																					
15	1																					
	1.25																					
	1.5																					
18.5	1																					
	1.25																					
	1.5																					
22	1																					
	1.25																					
	1.5																					
30	1																					
	1.25																					
	1.5																					
37	1																					
	1.25																					
	1.5																					
45	1																					
	1.25																					
	1.5																					
55	1																					
	1.25																					
	1.5																					
Number of Gear Stages		2						3										4				

Shaft Position	High Speed Shaft Speed	Ambient Temperature
Right Angle Shaft	1800r/min	40 Degree C

KW	SF	Low Speed Shaft Speed(r/min)																				
		180	161	144	129	113	100	90	80	72	64	57	51	45	40	36	32	27	25	23	20	18
		Normal Reduction Ratio																				
		10	11.2	12.5	14	16	18	20	22.4	25	28	31.5	35.5	40	45	50	56	63	71	80	90	100
5.5	1																					
	1.25																					
	1.5																					
7.5	1																					
	1.25																					
	1.5																					
11	1																					
	1.25																					
	1.5																					
15	1																					
	1.25																					
	1.5																					
18.5	1																					
	1.25																					
	1.5																					
22	1																					
	1.25																					
	1.5																					
30	1																					
	1.25																					
	1.5																					
37	1																					
	1.25																					
	1.5																					
45	1																					
	1.25																					
	1.5																					
55	1																					
	1.25																					
	1.5																					
Number of Gear Stages		2						3										4				

Selection Table

Reducer Right Angle Shaft

Shaft Position	High Speed Shaft Speed	Ambient Temperature
Right Angle Shaft	1500r/min	40 Degree C

Double and Triple Reduction Type has a cooling fan.

KW	SF	Low Speed Shaft Speed(r/min)																							
		150	134	120	107	94	83	75	67	60	54	48	42	38	33	30	27	24	21	19	17	15			
		Normal Reduction Ratio																							
		10	11.2	12.5	14	16	18	20	22.4	25	28	31.5	35.5	40	45	50	56	63	71	80	90	100			
5.5	1	9015	9015	9015	9015	9015	9015	9030	9030	9030	9030	9030	9030	9030	9030	9030	9030	9030	9030	9030	9035	9035	9040		
	1.25	9015	9015	9015	9015	9015	9015	9030	9030	9030	9030	9030	9030	9030	9030	9030	9030	9030	9030	9030	9030	9035	9035	9040	
	1.5	9015	9015	9015	9015	9015	9015	9030	9030	9030	9030	9030	9030	9030	9030	9030	9030	9030	9030	9030	9030	9035	9035	9040	
7.5	1	9015	9015	9015	9015	9015	9015	9030	9030	9030	9030	9030	9030	9030	9030	9030	9030	9030	9030	9030	9030	9035	9035	9040	
	1.25	9015	9015	9015	9015	9015	9015	9030	9030	9030	9030	9030	9030	9030	9030	9030	9030	9030	9030	9030	9030	9035	9035	9040	
	1.5	9015	9015	9015	9015	9015	9015	9030	9030	9030	9030	9030	9030	9030	9030	9030	9030	9030	9030	9030	9030	9035	9035	9040	
11	1	9015	9015	9015	9015	9015	9015	9030	9030	9030	9030	9030	9030	9030	9030	9030	9030	9030	9030	9030	9030	9035	9035	9040	
	1.25	9015	9015	9015	9015	9015	9015	9030	9030	9030	9030	9030	9030	9030	9030	9030	9030	9030	9030	9030	9030	9035	9035	9040	
	1.5	9015	9015	9015	9015	9015	9015	9030	9030	9030	9030	9030	9030	9030	9030	9030	9030	9030	9030	9030	9030	9035	9035	9040	
15	1	9015	9015	9015	9015	9015	9015	9030	9030	9030	9030	9030	9030	9030	9030	9030	9030	9030	9030	9030	9030	9035	9035	9040	
	1.25	9015	9015	9015	9015	9015	9015	9030	9030	9030	9030	9030	9030	9030	9030	9030	9030	9030	9030	9030	9030	9035	9035	9040	
	1.5	9015	9015	9015	9015	9015	9015	9030	9030	9030	9030	9030	9030	9030	9030	9030	9030	9030	9030	9030	9030	9035	9035	9040	
18.5	1	9015	9015	9015	9015	9015	9015	9030	9030	9030	9030	9030	9030	9030	9030	9030	9030	9030	9030	9030	9030	9035	9035	9040	
	1.25	9015	9015	9015	9015	9015	9015	9030	9030	9030	9030	9030	9030	9030	9030	9030	9030	9030	9030	9030	9030	9035	9035	9040	
	1.5	9015	9015	9015	9015	9015	9015	9030	9030	9030	9030	9030	9030	9030	9030	9030	9030	9030	9030	9030	9030	9035	9035	9040	
22	1	9015	9015	9015	9015	9015	9015	9030	9030	9030	9030	9030	9030	9030	9030	9030	9030	9030	9030	9030	9030	9035	9035	9040	
	1.25	9015	9015	9015	9015	9015	9015	9030	9030	9030	9030	9030	9030	9030	9030	9030	9030	9030	9030	9030	9030	9035	9035	9040	
	1.5	9015	9015	9030	9025	9025	9030	9030	9030	9030	9030	9035	9035	9040	9040	9045	9045	9050	9050	9055	9055	9060	9065	9070	
30	1	9015	9015	9015	9025	9025	9025	9030	9030	9030	9030	9030	9035	9035	9040	9040	9045	9045	9050	9050	9055	9055	9060	9065	9070
	1.25	9025	9025	9025	9025	9030	9030	9030	9030	9030	9035	9035	9035	9040	9045	9045	9050	9050	9055	9055	9060	9065	9065	9070	
	1.5	9025	9025	9025	9030	9030	9030	9030	9035	9035	9035	9040	9040	9045	9045	9050	9055	9055	9060	9060	9065	9065	9070		
37	1	9025	9025	9025	9025	9030	9030	9030	9030	9030	9035	9035	9040	9045	9045	9050	9055	9055	9060	9060	9065	9065	9070	9070	
	1.25	9025	9025	9025	9030	9030	9030	9030	9030	9035	9035	9040	9045	9045	9050	9050	9055	9055	9060	9060	9065	9065	9070		
	1.5	9025	9030	9030	9030	9030	9035	9035	9040	9040	9045	9045	9050	9055	9055	9060	9060	9065	9065	9070	9070	9075	9075	9080	
45	1	9025	9025	9025	9030	9030	9030	9035	9035	9035	9040	9045	9045	9050	9055	9055	9060	9060	9065	9065	9070	9075	9075	9080	
	1.25	9025	9035	9030	9030	9035	9035	9040	9040	9045	9045	9050	9055	9055	9060	9060	9065	9065	9070	9070	9075	9075	9080		
	1.5	9035	9035	9030	9030	9035	9035	9045	9045	9050	9045	9045	9055	9055	9055	9060	9060	9065	9065	9070	9070	9075	9075	9080	
55	1	9025	9030	9030	9030	9030	9035	9035	9040	9040	9045	9045	9050	9055	9055	9060	9060	9065	9065	9070	9070	9075	9075	9080	
	1.25	9030	9030	9030	9030	9030	9035	9035	9045	9045	9050	9050	9055	9055	9060	9060	9065	9065	9070	9070	9075	9075	9080		
	1.5	9030	9030	9035	9035	9045	9045	9050	9050	9055	9055	9055	9060	9060	9065	9065	9065	9070	9070	9070	9075	9075	9080		
75	1	9030	9030	9035	9035	9040	9040	9045	9045	9050	9050	9055	9055	9055	9060	9060	9065	9065	9070	9070	9075	9075	9080	9080	
	1.25	9030	9035	9040	9040	9045	9045	9050	9050	9055	9055	9060	9060	9065	9065	9070	9070	9075	9075	9075	9080	9080	9080	9080	
	1.5	9035	9040	9050	9050	9050	9050	9055	9055	9060	9060	9065	9065	9070	9070	9070	9075	9075	9075	9080	9080	9085	9085	9090	
90	1	9035	9035	9035	9040	9045	9045	9055	9055	9055	9055	9060	9060	9065	9065	9070	9070	9075	9075	9075	9080	9085	9085	9090	
	1.25	9035	9040	9045	9045	9050	9050	9055	9055	9060	9060	9065	9065	9070	9070	9070	9075	9075	9075	9080	9085	9085	9090		
	1.5	9050	9045	9050	9050	9050	9055	9055	9065	9060	9065	9065	9070	9070	9070	9075	9075	9080	9080	9085	9085	9090	9095		
110	1	9040	9040	9045	9045	9050	9050	9055	9055	9060	9065	9065	9065	9065	9065	9070	9070	9075	9075	9075	9080	9085	9085	9090	
	1.25	9045	9045	9050	9050	9050	9055	9055	9065	9060	9065	9065	9070	9070	9070	9075	9075	9080	9080	9085	9085	9090	9100		
	1.5	9045	9045	9050	9055	9055	9055	9065	9065	9070	9070	9070	9075	9075	9075	9080	9080	9085	9085	9090	9090	9095	9100		
132	1	9040	9045	9045	9050	9050	9055	9055	9065	9070	9075	9075	9075	9075	9080	9080	9085	9085	9085	9090	9095	9095	9100	9105	
	1.25	9045	9045	9050	9055	9055	9055	9065	9065	9070	9075	9075	9075	9075	9080	9080	9085	9085	9085	9090	9090	9095	9100		
	1.5	9050	9055	9055	9055	9060	9065	9065	9065	9070	9075	9075	9080	9080	9085	9085	9085	9085	9090	9090	9095	9100	9105		
160	1	9045	9045	9055	9055	9055	9055	9065	9065	9080	9075	9075	9075	9080	9080	9080	9080	9085	9085	9090	9090	9095	9105		
	1.25	9055	9055	9055	9055	9060	9065	9065	9065	9080	9075	9075	9075	9080	9080	9085	9085	9085	9090	9090	9100	9100	9105		
	1.5	9055	9055	9060	9065	9065	9065	9075	9075	9080	9075	9075	9080	9085	9085	9085	9090	9090	9100	9100	9105	9105	9110		
200	1	9055	9055	9060	9060	9060	9065	9065	9065	9080	9080	9080	9080	9080	9080	9085	9085	9085	9090	9090	9095	9095	9105		
	1.25	9055	9060	9060	9065	9065	9070	9075	9075	9080	9080	9080	9080	9085	9085	9085	9090	9090	9100	9100	9105	9105	9110		
	1.5	9060	9065	9065	9065	9070	9070	9075	9075	9080	9080	9085	9085	9090	9090	9095	9100	9100	9105	9105	9110	9110	9115		
250	1	9065	9065	9065	9065	9065	9075	9075	9075	9085	9085	9085	9085	9090	9090	9095	9095	9100	9100	9105	9105	9110	9115		
	1.25	9065	9065	9065	9075	9075	9075	9085	9085	9085	9085	9085	9090	9090	9095	9095	9100	9100	9105	9105	9110	9110	9115		
	1.5	9065	9065	9075	9075	9075	9075	9085	9085	9085	9085	9085	9090	9090	9095	9100	9100	9105	9110	9110	9110	9115	9115		
280	1	9065	9065	9075	9075	9075	9075	9085	9085	9085	9085	9085	9090	9090	9095	9095	9100	9100	9105	9105	9110	9110	9115		
	1.25	9065	9065	9075	9075	9075	9075	9085	9085	9085	9085	9085	9090	9090	9095	9095	9100	9100	9105	9105	9110	9110	9115		
	1.5	9065																							

Agitator Drives

Reducer Right Angle Shaft

Shaft Position	High Speed Shaft Speed	Ambient Temperature
Right Angle Shaft	1800r/min	40 Degree C

Double and Triple Reduction Type has a cooling fan.



KW	SF	Low Speed Shaft Speed(r/min)																						
		180	161	144	129	113	100	90	80	72	64	57	51	45	40	36	32	29	25	23	20	18		
		Normal Reduction Ratio																						
		10	11.2	12.5	14	16	18	20	22.4	25	28	31.5	35.5	40	45	50	56	63	71	80	90	100		
5.5	1	9015	9015	9015	9015	9015	9015	9030	9030	9030	9030	9030	9030	9030	9030	9030	9030	9030	9030	9030	9035	9035	9040	
	1.25	9015	9015	9015	9015	9015	9015	9030	9030	9030	9030	9030	9030	9030	9030	9030	9030	9030	9030	9030	9030	9035	9035	9040
	1.5	9015	9015	9015	9015	9015	9015	9030	9030	9030	9030	9030	9030	9030	9030	9030	9030	9030	9030	9030	9030	9035	9035	9040
7.5	1	9015	9015	9015	9015	9015	9015	9030	9030	9030	9030	9030	9030	9030	9030	9030	9030	9030	9030	9030	9035	9035	9040	
	1.25	9015	9015	9015	9015	9015	9015	9030	9030	9030	9030	9030	9030	9030	9030	9030	9030	9030	9030	9030	9030	9035	9035	9040
	1.5	9015	9015	9015	9015	9015	9015	9030	9030	9030	9030	9030	9030	9030	9030	9030	9030	9030	9030	9030	9030	9035	9035	9040
11	1	9015	9015	9015	9015	9015	9015	9030	9030	9030	9030	9030	9030	9030	9030	9030	9030	9030	9030	9030	9035	9035	9040	
	1.25	9015	9015	9015	9015	9015	9015	9030	9030	9030	9030	9030	9030	9030	9030	9030	9030	9030	9030	9030	9030	9035	9035	9040
	1.5	9015	9015	9015	9015	9015	9015	9030	9030	9030	9030	9030	9030	9030	9030	9030	9030	9030	9030	9030	9030	9035	9035	9040
15	1	9015	9015	9015	9015	9015	9015	9030	9030	9030	9030	9030	9030	9030	9030	9030	9030	9030	9030	9030	9030	9035	9035	9040
	1.25	9015	9015	9015	9015	9015	9015	9030	9030	9030	9030	9030	9030	9030	9030	9030	9030	9030	9030	9030	9030	9035	9035	9040
	1.5	9015	9015	9015	9015	9015	9015	9030	9030	9030	9030	9030	9030	9030	9030	9030	9030	9030	9030	9030	9030	9035	9035	9040
18.5	1	9015	9015	9015	9015	9015	9015	9030	9030	9030	9030	9030	9030	9030	9030	9030	9030	9030	9030	9030	9035	9035	9040	
	1.25	9015	9015	9015	9015	9015	9015	9030	9030	9030	9030	9030	9030	9030	9030	9030	9030	9030	9030	9030	9030	9035	9035	9040
	1.5	9015	9015	9015	9015	9030	9025	9025	9030	9030	9030	9030	9030	9030	9030	9030	9035	9035	9040	9045	9045	9045	9045	9050
22	1	9015	9015	9015	9015	9015	9015	9030	9030	9030	9030	9030	9030	9030	9030	9030	9030	9030	9030	9030	9030	9035	9035	9040
	1.25	9015	9015	9015	9015	9015	9025	9025	9030	9030	9030	9030	9030	9030	9030	9030	9035	9035	9040	9045	9045	9045	9045	9050
	1.5	9015	9015	9015	9025	9025	9025	9030	9030	9030	9030	9035	9035	9040	9040	9045	9045	9050	9050	9050	9050	9055	9055	9060
30	1	9015	9015	9015	9015	9025	9025	9030	9030	9030	9030	9030	9030	9030	9030	9035	9035	9040	9045	9045	9050	9050	9055	9055
	1.25	9015	9015	9025	9025	9025	9030	9030	9030	9030	9035	9035	9040	9040	9045	9045	9050	9050	9050	9050	9055	9055	9060	
	1.5	9025	9025	9025	9025	9030	9030	9030	9035	9035	9035	9035	9040	9045	9045	9050	9050	9055	9055	9055	9060	9060	9060	
37	1	9015	9015	9025	9025	9025	9025	9030	9030	9030	9030	9035	9035	9040	9040	9045	9045	9050	9050	9050	9055	9055	9060	
	1.25	9025	9025	9025	9025	9030	9030	9030	9030	9035	9035	9035	9035	9040	9045	9045	9050	9050	9050	9055	9055	9060	9060	
	1.5	9025	9025	9025	9030	9030	9030	9030	9035	9035	9040	9045	9045	9050	9050	9055	9055	9055	9060	9060	9065	9065	9070	
45	1	9025	9025	9025	9025	9030	9030	9035	9035	9035	9035	9035	9040	9045	9045	9050	9050	9055	9055	9060	9060	9065	9065	
	1.25	9025	9025	9025	9030	9030	9030	9035	9035	9035	9035	9040	9045	9045	9050	9050	9055	9055	9060	9060	9065	9065	9070	
	1.5	9025	9035	9030	9030	9035	9035	9040	9040	9040	9045	9045	9045	9050	9055	9055	9060	9060	9065	9065	9070	9070	9070	
55	1	9025	9025	9025	9030	9030	9030	9035	9035	9035	9040	9040	9045	9045	9050	9050	9055	9055	9060	9060	9065	9065	9070	
	1.25	9025	9030	9030	9030	9035	9035	9040	9040	9045	9045	9045	9050	9050	9055	9055	9060	9060	9065	9065	9070	9070	9070	
	1.5	9030	9030	9030	9035	9035	9035	9045	9045	9050	9050	9050	9055	9055	9060	9060	9065	9065	9070	9070	9075	9075	9080	
75	1	9030	9030	9030	9030	9035	9035	9045	9045	9050	9050	9050	9050	9055	9055	9055	9060	9060	9065	9065	9070	9075	9075	
	1.25	9030	9030	9035	9035	9040	9040	9045	9045	9050	9050	9055	9055	9060	9060	9065	9065	9070	9075	9075	9075	9075	9080	
	1.5	9035	9035	9040	9040	9045	9045	9055	9055	9050	9055	9055	9060	9060	9065	9065	9070	9075	9075	9075	9080	9080	9080	
90	1	9035	9035	9035	9035	9040	9040	9045	9045	9050	9050	9050	9055	9055	9060	9060	9065	9065	9070	9075	9075	9075	9085	
	1.25	9035	9035	9040	9040	9045	9045	9055	9055	9050	9055	9055	9060	9060	9065	9065	9070	9075	9075	9075	9080	9080	9085	
	1.5	9050	9045	9040	9045	9050	9050	9055	9055	9060	9060	9060	9065	9065	9070	9075	9075	9075	9075	9085	9085	9085	9095	
110	1	9035	9035	9040	9040	9045	9045	9055	9055	9055	9055	9065	9065	9065	9065	9070	9070	9075	9075	9075	9085	9085	9090	
	1.25	9045	9045	9045	9045	9050	9050	9055	9055	9060	9060	9065	9065	9070	9070	9075	9075	9075	9080	9085	9085	9090		
	1.5	9045	9045	9050	9050	9050	9055	9055	9060	9060	9065	9065	9070	9070	9075	9075	9075	9080	9085	9085	9085	9095	9100	
132	1	9040	9045	9045	9045	9050	9050	9055	9055	9070	9065	9065	9065	9065	9065	9070	9075	9075	9075	9075	9085	9085	9100	
	1.25	9045	9045	9050	9050	9050	9055	9055	9065	9070	9065	9065	9070	9070	9075	9075	9075	9075	9080	9085	9085	9085	9100	
	1.5	9045	9045	9050	9055	9055	9060	9065	9065	9070	9070	9070	9075	9075	9075	9080	9085	9085	9085	9090	9095	9095	9100	
160	1	9045	9045	9045	9055	9055	9055	9065	9065	9080	9075	9075	9075	9075	9075	9075	9080	9080	9085	9085	9090	9095	9105	
	1.25	9045	9050	9055	9055	9055	9060	9065	9065	9080	9075	9075	9075	9075	9075	9080	9080	9085	9085	9090	9095	9105	9105	
	1.5	9050	9055	9055	9060	9060	9065	9065	9065	9080	9075	9075	9075	9080	9080	9085	9085	9090	9095	9095	9105	9105	9105	
200	1	9055	9055	9055	9055	9055	9060	9065	9065	9080	9080	9080	9080	9080	9080	9080	9080	9085	9085	9090	9095	9100	9115	
	1.25	9055	9055	9055	9060	9060	9065	9065	9075	9080	9080	9080	9080	9080	9085	9085	9085	9085	9090	9095	9100	9105	9115	
	1.5	9055	9060	9060	9065	9065	9070	9075	9075	9080	9080	9080	9080	9085	9085	9090	9095	9095	9100	9105	9105	9110	9115	
250	1	9065	9065	9065	9065	9065	9065	9065	9075	9085	9085	9085	9085	9085	9085	9085	9085	9090	9095	9100	9100	9105	9105	
	1.25	9065	9065	9065	9065	9065	9070	9075	9075	9085	9085	9085	9085	9085	9085	9090	9095	9100	9100	9105	9105	9110	9115	
	1.5	9065	9065	9065	9070	9075	9075	9085	9085	9085	9085	9085	9090	9095	9095	9100	9105	9105	9110	9110	9115	9115	9115	
280	1	9065	9065	9065	9065	9075	9075	9075	9075	9085	9085	9085	9085	9085	9085	9090	9095	9100	9100	9105	9105	9110	9115	
	1.25	9065	9065	9065	9065	9075	9075	9075	9075	9085	9085	9085	9085	9085	9090	9095	9100	9100	9105	9105	9110	9115	9115	
	1.5	9065	9065	9065	9075	9075	9075	9085	9085	9085	9085	9085	9095	9095	9095	9100	9105	9105	911					

Selection Table

Parallel Shaft (Drive Unit and Reducer)

Shaft Position	High Speed Shaft Speed	Ambient Temperature
Parallel Shaft	1500r/min	40 Degree C

KW	SF	Low Speed Shaft Speed(r/min)																				
		150	134	120	107	94	83	75	67	60	54	48	42	38	33	30	27	24	21	19	17	15
		Normal Reduction Ratio																				
		10	11.2	12.5	14	16	18	20	22.4	25	28	31.5	35.5	40	45	50	56	63	71	80	90	100
5.5	1	9015	9015	9015	9015	9015	9015	9015	9015	9015	9015	9015	9015	9015	9015	9030	9030	9030	9030	9030	9030	9030
	1.25	9015	9015	9015	9015	9015	9015	9015	9015	9015	9015	9015	9015	9015	9015	9030	9030	9030	9030	9030	9030	9030
	1.5	9015	9015	9015	9015	9015	9015	9015	9015	9015	9015	9015	9015	9015	9015	9030	9030	9030	9030	9030	9030	9030
7.5	1	9015	9015	9015	9015	9015	9015	9015	9015	9015	9015	9015	9015	9015	9015	9030	9030	9030	9030	9030	9030	9030
	1.25	9015	9015	9015	9015	9015	9015	9015	9015	9015	9015	9015	9015	9015	9015	9025	9030	9030	9030	9030	9030	9030
	1.5	9015	9015	9015	9015	9015	9015	9015	9015	9015	9015	9015	9015	9015	9015	9025	9030	9030	9030	9030	9030	9035
11	1	9015	9015	9015	9015	9015	9015	9015	9015	9015	9015	9015	9015	9015	9025	9030	9030	9030	9030	9030	9030	9035
	1.25	9015	9015	9015	9015	9015	9015	9015	9015	9015	9015	9015	9015	9015	9025	9030	9030	9030	9030	9030	9035	9040
	1.5	9015	9015	9015	9015	9015	9015	9015	9015	9015	9015	9025	9025	9025	9025	9030	9030	9030	9030	9030	9035	9040
15	1	9015	9015	9015	9015	9015	9015	9015	9015	9015	9025	9025	9025	9025	9030	9030	9030	9030	9035	9035	9035	9040
	1.25	9015	9015	9015	9015	9015	9015	9015	9015	9015	9025	9025	9025	9025	9030	9030	9030	9035	9035	9035	9040	9045
	1.5	9015	9015	9015	9015	9015	9015	9025	9025	9025	9025	9030	9030	9030	9030	9035	9035	9040	9045	9045	9045	9050
18.5	1	9015	9015	9015	9015	9015	9015	9025	9025	9025	9025	9030	9030	9030	9030	9030	9035	9035	9040	9040	9045	9045
	1.25	9015	9015	9015	9015	9015	9025	9025	9025	9025	9030	9030	9030	9030	9035	9035	9040	9040	9045	9045	9050	9050
	1.5	9015	9015	9015	9025	9025	9025	9025	9025	9030	9030	9030	9035	9035	9040	9040	9050	9045	9045	9055	9055	9060
22	1	9015	9015	9025	9025	9025	9025	9025	9025	9030	9030	9030	9030	9030	9035	9035	9040	9040	9045	9045	9045	9050
	1.25	9015	9015	9025	9025	9025	9025	9025	9025	9030	9030	9030	9030	9035	9035	9040	9040	9045	9045	9055	9055	9060
	1.5	9015	9015	9025	9025	9025	9025	9025	9030	9030	9030	9035	9035	9040	9040	9045	9045	9045	9055	9055	9055	9060
30	1	9025	9025	9030	9030	9030	9030	9035	9035	9035	9035	9035	9035	9035	9040	9045	9045	9045	9050	9050	9055	9055
	1.25	9025	9025	9030	9030	9030	9030	9035	9035	9035	9035	9035	9035	9040	9045	9045	9045	9050	9050	9055	9055	9060
	1.5	9025	9025	9030	9030	9030	9030	9035	9035	9035	9035	9040	9045	9045	9045	9050	9055	9055	9060	9065	9065	9070
37	1	9030	9030	9035	9035	9035	9035	9035	9035	9040	9040	9040	9045	9045	9045	9050	9050	9055	9055	9060	9065	9065
	1.25	9030	9030	9035	9035	9035	9035	9035	9035	9040	9040	9040	9045	9045	9050	9050	9055	9055	9060	9065	9065	9070
	1.5	9030	9030	9035	9035	9035	9035	9035	9035	9040	9045	9045	9045	9050	9055	9055	9060	9060	9065	9065	9070	9070
45	1	9035	9035	9040	9040	9040	9045	9045	9045	9045	9045	9045	9055	9055	9055	9055	9055	9060	9065	9065	9070	9070
	1.25	9035	9035	9040	9040	9040	9045	9045	9045	9045	9045	9045	9055	9055	9055	9055	9060	9060	9065	9065	9070	9070
	1.5	9035	9035	9040	9040	9040	9045	9045	9045	9045	9045	9050	9055	9055	9055	9060	9065	9065	9065	9065	9070	9075
55	1	9040	9040	9045	9045	9045	9045	9045	9045	9055	9055	9055	9055	9055	9055	9060	9060	9060	9065	9065	9070	9070
	1.25	9040	9040	9045	9045	9045	9045	9045	9045	9055	9055	9055	9055	9055	9060	9060	9065	9065	9065	9070	9075	9080
	1.5	9040	9040	9045	9045	9045	9045	9045	9045	9055	9055	9055	9055	9055	9065	9060	9065	9065	9070	9075	9075	9080
75	1	9055	9055	9055	9055	9055	9060	9065	9065	9065	9065	9065	9065	9070	9070	9070	9070	9070	9070	9075	9075	9080
	1.25	9055	9055	9055	9055	9055	9060	9065	9065	9065	9065	9065	9065	9070	9070	9070	9070	9070	9075	9075	9080	9080
	1.5	9055	9055	9055	9055	9055	9060	9065	9065	9065	9065	9065	9065	9070	9070	9070	9070	9075	9075	9080	9085	9085
90	1	9060	9060	9065	9065	9065	9065	9065	9065	9070	9070	9070	9070	9075	9075	9075	9075	9075	9075	9075	9080	9080
	1.25	9060	9060	9065	9065	9065	9065	9065	9065	9070	9070	9070	9070	9075	9075	9075	9075	9075	9080	9085	9085	9090
	1.5	9060	9060	9065	9065	9065	9065	9065	9065	9070	9070	9070	9070	9075	9075	9075	9075	9080	9085	9085	9085	9090
110	1	9065	9065	9065	9065	9065	9070	9075	9075	9075	9075	9075	9085	9085	9085	9085	9085	9085	9085	9085	9085	9090
	1.25	9065	9065	9065	9065	9065	9070	9075	9075	9075	9075	9075	9085	9085	9085	9085	9085	9085	9085	9085	9090	9095
	1.5	9065	9065	9065	9065	9065	9070	9075	9075	9075	9075	9075	9085	9085	9085	9085	9085	9085	9085	9085	9090	9095
132	1	9075	9075	9075	9075	9075	9075	9075	9075	9085	9085	9085	9085	9085	9085	9085	9085	9095	9095	9095	9095	9100
	1.25	9075	9075	9075	9075	9075	9075	9075	9075	9085	9085	9085	9085	9085	9085	9085	9085	9095	9095	9095	9095	9100
	1.5	9075	9075	9075	9075	9075	9075	9075	9075	9085	9085	9085	9085	9085	9085	9085	9085	9095	9095	9095	9095	9105
160	1	9085	9085	9085	9085	9085	9085	9085	9085	9095	9095	9095	9095	9100	9100	9100	9100	9100	9100	9100	9105	9105
	1.25	9085	9085	9085	9085	9085	9085	9085	9085	9095	9095	9095	9095	9100	9100	9100	9100	9100	9100	9100	9105	9105
	1.5	9085	9085	9085	9085	9085	9085	9085	9085	9095	9095	9095	9095	9100	9100	9100	9100	9100	9100	9100	9105	9110
200	1	9095	9095	9095	9095	9095	9095	9095	9095	9105	9105	9105	9105	9105	9105	9105	9105	9110	9110	9110	9110	9110
	1.25	9095	9095	9095	9095	9095	9095	9095	9095	9105	9105	9105	9105	9105	9105	9105	9105	9110	9110	9110	9110	9110
	1.5	9095	9095	9095	9095	9095	9095	9095	9095	9105	9105	9105	9105	9105	9105	9105	9105	9110	9110	9110	9115	9115
250	1			9105	9105	9105	9105	9105	9105	9110	9110	9115	9115	9115	9115	9115	9115					
	1.25			9105	9105	9105	9105	9105	9105	9110	9110	9115	9115	9115	9115	9115	9115					
	1.5			9105	9105	9105	9105	9105	9105	9110	9110	9115	9115	9115	9115	9115	9115					
280	1			9110	9110	9110	9115	9115	9115	9115	9115											
	1.25			9110	9110	9110	9115	9115	9115	9115	9115											
	1.5			9110	9110	9110	9110	9115	9115	9115	9115											
Number of Gear Stages		2						3											4			



Notice: At  ,  area, you can choose more small size using Oil Cooler Unit. Consult SUMITOMO for details.

Agitator Drives

Parallel Shaft (Drive Unit and Reducer)

Shaft Position	High Speed Shaft Speed	Ambient Temperature
Parallel Shaft	1800r/min	40 Degree C

KW	SF	Low Speed Shaft Speed(r/min)																				
		180	161	144	129	113	100	90	80	72	64	57	51	45	40	36	32	29	25	23	20	18
		Normal Reduction Ratio																				
		10	11.2	12.5	14	16	18	20	22.4	25	28	31.5	35.5	40	45	50	56	63	71	80	90	100
5.5	1	9015	9015	9015	9015	9015	9015	9015	9015	9015	9015	9015	9015	9015	9015	9030	9030	9030	9030	9030	9030	9030
	1.25	9015	9015	9015	9015	9015	9015	9015	9015	9015	9015	9015	9015	9015	9015	9030	9030	9030	9030	9030	9030	9030
	1.5	9015	9015	9015	9015	9015	9015	9015	9015	9015	9015	9015	9015	9015	9015	9030	9030	9030	9030	9030	9030	9030
7.5	1	9015	9015	9015	9015	9015	9015	9015	9015	9015	9015	9015	9015	9015	9015	9030	9030	9030	9030	9030	9030	9030
	1.25	9015	9015	9015	9015	9015	9015	9015	9015	9015	9015	9015	9015	9015	9015	9030	9030	9030	9030	9030	9030	9030
	1.5	9015	9015	9015	9015	9015	9015	9015	9015	9015	9015	9015	9015	9015	9015	9025	9030	9030	9030	9030	9030	9030
11	1	9015	9015	9015	9015	9015	9015	9015	9015	9015	9015	9015	9015	9015	9015	9030	9030	9030	9030	9030	9030	9030
	1.25	9015	9015	9015	9015	9015	9015	9015	9015	9015	9015	9015	9015	9015	9025	9025	9025	9030	9030	9030	9030	9030
	1.5	9015	9015	9015	9015	9015	9015	9015	9015	9015	9015	9015	9015	9015	9025	9025	9025	9030	9030	9030	9030	9035
15	1	9015	9015	9015	9015	9015	9015	9015	9015	9015	9025	9025	9025	9025	9025	9030	9030	9030	9030	9030	9030	9035
	1.25	9015	9015	9015	9015	9015	9015	9015	9015	9015	9025	9025	9025	9025	9025	9030	9030	9030	9030	9035	9035	9040
	1.5	9015	9015	9015	9015	9015	9015	9015	9025	9025	9025	9030	9030	9030	9030	9030	9035	9035	9035	9040	9045	9045
18.5	1	9015	9015	9015	9015	9015	9015	9025	9025	9015	9025	9025	9025	9025	9030	9030	9030	9030	9035	9035	9035	9040
	1.25	9015	9015	9015	9015	9015	9015	9025	9025	9025	9025	9025	9030	9030	9030	9030	9030	9030	9035	9035	9040	9045
	1.5	9015	9015	9015	9015	9025	9025	9025	9025	9030	9030	9030	9030	9030	9035	9035	9040	9045	9045	9045	9050	9050
22	1	9015	9015	9025	9025	9025	9025	9025	9025	9030	9030	9030	9030	9030	9030	9030	9035	9040	9045	9045	9045	9050
	1.25	9015	9015	9025	9025	9025	9025	9025	9025	9030	9030	9030	9030	9030	9030	9035	9035	9040	9045	9045	9045	9050
	1.5	9015	9015	9025	9025	9025	9025	9025	9025	9030	9030	9030	9030	9035	9035	9040	9040	9045	9045	9045	9055	9060
30	1	9025	9025	9025	9025	9025	9030	9035	9035	9035	9035	9035	9035	9035	9035	9035	9040	9040	9045	9045	9050	9055
	1.25	9025	9025	9025	9025	9025	9030	9035	9035	9035	9035	9035	9035	9035	9035	9040	9040	9045	9045	9050	9055	9055
	1.5	9025	9025	9025	9025	9025	9030	9035	9035	9035	9035	9035	9035	9040	9045	9045	9050	9050	9055	9055	9060	9060
37	1	9030	9030	9035	9035	9035	9035	9035	9035	9040	9040	9040	9040	9045	9045	9045	9045	9050	9050	9055	9055	9060
	1.25	9030	9030	9035	9035	9035	9035	9035	9035	9040	9040	9040	9040	9045	9045	9045	9050	9050	9055	9055	9060	9060
	1.5	9030	9030	9035	9035	9035	9035	9035	9035	9040	9040	9040	9050	9045	9045	9050	9050	9055	9055	9060	9065	9070
45	1	9035	9035	9040	9040	9040	9040	9045	9045	9045	9045	9045	9055	9055	9055	9055	9055	9055	9055	9060	9065	9070
	1.25	9035	9035	9040	9040	9040	9040	9045	9045	9045	9045	9045	9055	9055	9055	9055	9055	9055	9060	9065	9065	9070
	1.5	9035	9035	9040	9040	9040	9040	9045	9045	9045	9045	9045	9055	9055	9055	9055	9060	9060	9065	9065	9070	9070
55	1	9040	9040	9045	9045	9045	9045	9045	9045	9055	9055	9055	9055	9055	9055	9060	9060	9060	9065	9065	9070	9070
	1.25	9040	9040	9045	9045	9045	9045	9045	9045	9055	9055	9055	9055	9055	9055	9060	9060	9060	9065	9065	9070	9070
	1.5	9040	9040	9045	9045	9045	9045	9045	9045	9055	9055	9055	9055	9055	9055	9060	9065	9065	9065	9065	9075	9080
75	1	9055	9055	9055	9055	9055	9060	9065	9065	9065	9065	9065	9065	9065	9065	9065	9070	9070	9070	9075	9075	9075
	1.25	9055	9055	9055	9055	9055	9060	9065	9065	9065	9065	9065	9065	9065	9065	9065	9070	9070	9070	9075	9075	9080
	1.5	9055	9055	9055	9055	9055	9060	9065	9065	9065	9065	9065	9065	9065	9065	9065	9070	9070	9070	9075	9075	9080
90	1	9060	9060	9060	9060	9060	9060	9065	9065	9070	9070	9070	9070	9075	9075	9075	9075	9075	9075	9075	9075	9080
	1.25	9060	9060	9060	9060	9060	9060	9065	9065	9070	9070	9070	9070	9075	9075	9075	9075	9075	9075	9075	9080	9080
	1.5	9060	9060	9060	9060	9060	9060	9065	9065	9070	9070	9070	9070	9075	9075	9075	9075	9075	9075	9080	9085	9090
110	1	9065	9065	9065	9065	9065	9070	9075	9075	9075	9075	9075	9075	9085	9085	9085	9085	9085	9085	9085	9085	9085
	1.25	9065	9065	9065	9065	9065	9070	9075	9075	9075	9075	9075	9075	9085	9085	9085	9085	9085	9085	9085	9085	9090
	1.5	9065	9065	9065	9065	9065	9070	9075	9075	9075	9075	9075	9075	9085	9085	9085	9085	9085	9085	9085	9090	9095
132	1	9075	9075	9075	9075	9075	9075	9075	9075	9085	9085	9085	9085	9085	9085	9085	9095	9095	9095	9095	9095	9095
	1.25	9075	9075	9075	9075	9075	9075	9075	9075	9085	9085	9085	9085	9085	9085	9085	9095	9095	9095	9095	9095	9095
	1.5	9075	9075	9075	9075	9075	9075	9075	9075	9085	9085	9085	9085	9085	9085	9085	9095	9095	9095	9095	9095	9100
160	1	9085	9085	9085	9085	9085	9085	9085	9085	9095	9095	9095	9095	9100	9100	9100	9100	9100	9100	9100	9100	9105
	1.25	9085	9085	9085	9085	9085	9085	9085	9085	9095	9095	9095	9095	9100	9100	9100	9100	9100	9100	9100	9105	9105
	1.5	9085	9085	9085	9085	9085	9085	9085	9085	9095	9095	9095	9095	9100	9100	9100	9100	9100	9100	9100	9105	9105
200	1			9095	9095	9095	9100	9105	9105	9105	9105	9105	9105	9105	9105	9105	9110	9110	9110	9110	9110	9110
	1.25			9095	9095	9095	9100	9105	9105	9105	9105	9105	9105	9105	9105	9105	9110	9110	9110	9110	9110	9110
	1.5			9095	9095	9095	9100	9105	9105	9105	9105	9105	9105	9105	9105	9105	9110	9110	9110	9110	9110	9110
250	1					9115	9115	9115	9115	9115	9115	9115	9115	9115	9115	9115						
	1.25					9115	9115	9115	9115	9115	9115	9115	9115	9115	9115	9115						
	1.5					9115	9115	9115	9115	9115	9115	9115	9115	9115	9115	9115						
280	1					9115	9115															
	1.25					9115	9115															
	1.5					9110	9115															
Number of Gear Stages		2							3							4						

Notice: At ,  area, you can choose more small size using Oil Cooler Unit. Consult SUMITOMO for details.

Selection Table

LS Type Drop Bearing Housing

Low Speed Shaft Speed 100r/min

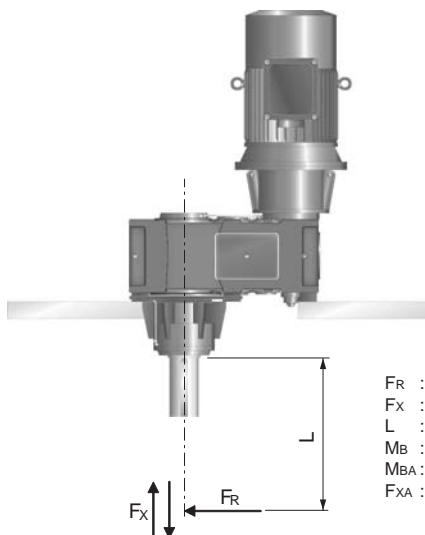
F _{XA} kN	M _{BA}																											kNm
	~10	20	30	40	50	60	70	80	90	100	110	120	130	140	150	160	170	180	190	200	210	220	230	240	250	260	270	
~30																												
40		9060																										
50				9065,9070																								
60					9075		9080,9085																					
70										9090		9095,9100																
80																	9105,9110											
90																												
100																						9115						
110																												
120																												
130																												
140																												
150																												

Low Speed Shaft Speed 63r/min

F _{XA} kN	M _{BA}																											kNm
	~10	20	30	40	50	60	70	80	90	100	110	120	130	140	150	160	170	180	190	200	210	220	230	240	250	260	270	
~30																												
40		9060																										
50																												
60					9065,9070																							
70					9075		9080,9085																					
80										9090		9095,9100																
90																	9105,9110											
100																												
110																						9115						
120																												
130																												
140																												
150																												
160																												
170																												

Low Speed Shaft Speed 40r/min

F _{XA} kN	M _{BA}																											kNm
	~10	20	30	40	50	60	70	80	90	100	110	120	130	140	150	160	170	180	190	200	210	220	230	240	250	260	270	
~30																												
40																												
50		9060																										
60																												
70					9065,9070																							
80					9075		9080,9085																					
90										9090																		
100													9095,9100															
110																	9105,9110											
120																							9115					
130																												
140																												
150																												
160																												
170																												
180																												
190																												

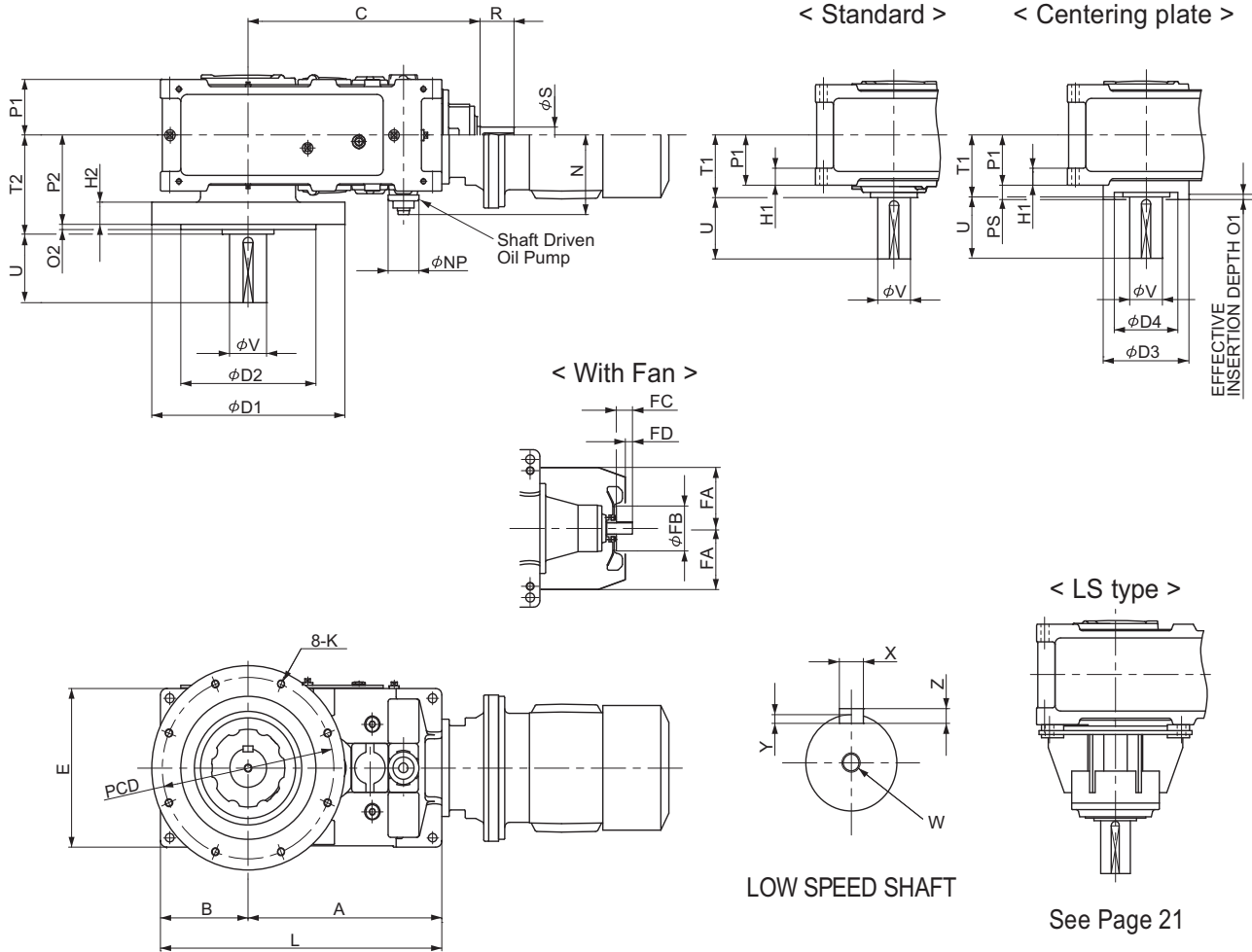


- F_R : Actual Radial Load
- F_X : Actual Axial Load
- L : Distance to Load Point
- M_b : Actual Moment = F_R × L
- M_{BA} : Allowable Moment
- F_{XA} : Allowable Axial Load

Agitator Drives Dimensions

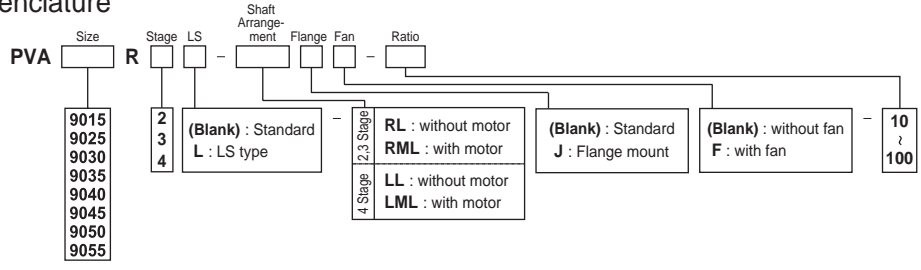
Right Angle Shaft 9015 ▶ 9055

< Flange mount >



SIZE	STAGE	A	B	C	D1	D2	D3	D4	E	H1	H2	PCD	K/DEPTH	L	N	NP	O1	O2	P1	P2	PS	R	S	T1	T2	U	V	W/DEPTH	X	Y	Z	FA	FB	FC	FD
9015	2	280	160	427	400	310	200h9	110	270	35	35	360	M12/18	440	189	100	6	5	102.5	213	35	80	28k6	135	223	110	58m6	M20/42	18	7	11	125	125	50	30
9025	2	330	175	465	400	310	230h9	125	310	40	35	360	M12/18	505	201.5	100	6	5	117.5	225	32.5	80	35k6	145	235	140	70m6	M20/42	20	7.5	12	135	140	50	30
9030	2	390	200	535	445	340	260h9	150	320	50	50	400	M16/24	590	224	117	7	5	132.5	245	35	110	40k6	160	255	170	80m6	M20/42	22	9	14	150	140	80	52
	3	390	200	576	445	340	260h9	150	320	50	50	400	M16/24	590	211	100	7	5	132.5	245	35	80	28k6	160	255	170	80m6	M20/42	22	9	14	150	125	50	30
9035	2	421	219	566	445	340	290h9	180	370	50	50	400	M16/24	640	224	117	7	5	132.5	245	35	110	40k6	160	255	170	90m6	M20/42	25	9	14	150	140	80	52
	3	421	219	607	445	340	290h9	180	370	50	50	400	M16/24	690	211	100	7	5	132.5	245	35	80	28k6	160	255	170	90m6	M20/42	25	9	14	150	125	50	30
9040	2	450	235	595	565	430	290h9	180	400	60	50	515	M16/24	685	241.5	117	7	5	157.5	270	27.5	110	45k6	179	280	170	95m6	M24/50	25	9	14	170	160	80	52
	3	450	235	636	565	430	290h9	180	400	60	50	515	M16/24	685	237.5	117	7	5	157.5	270	27.5	80	30k6	179	280	170	95m6	M24/50	25	9	14	170	125	50	30
9045	2	524	235	710	565	430	290h9	180	400	60	50	515	M16/24	759	228.5	100	7	5	157.5	270	27.5	80	28k6	179	280	170	95m6	M24/50	25	9	14	-	-	-	-
	4	489	256	634	565	430	330h9	200	440	60	50	515	M16/24	745	241.5	117	8	5	157.5	270	32.5	110	45k6	181	280	210	105m6	M24/50	28	10	16	170	160	80	52
9050	2	524	235	728	565	430	330h9	200	420	60	50	515	M16/24	775	257.5	117	8	5	172.5	290	37.5	80	35k6	201	300	210	110m6	M24/50	28	10	16	190	140	50	22
	4	593	255	779	565	430	330h9	200	420	60	50	515	M16/24	848	248.5	100	8	5	172.5	290	37.5	80	28k6	201	300	210	110m6	M24/50	28	10	16	-	-	-	-
9055	2	559	286	684	670	520	370h9	230	490	60	60	620	M20/30	845	252	137	8	5	172.5	290	37.5	110	50k6	201	300	210	120m6	M24/50	32	11	18	190	160	80	52
	4	632	286	818	670	520	370h9	230	490	60	60	620	M20/30	918	248.5	100	8	5	172.5	290	37.5	80	28k6	201	300	210	120m6	M24/50	32	11	18	-	-	-	-

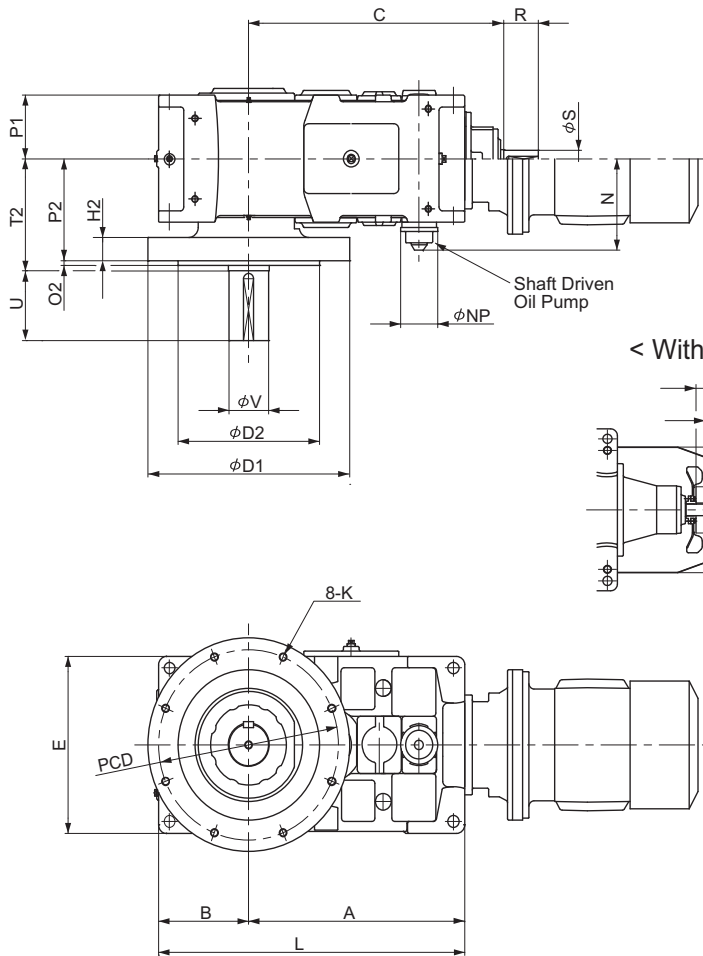
Nomenclature



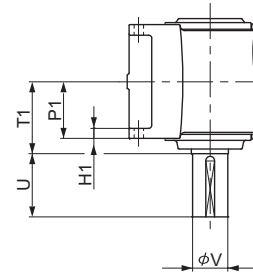
Agitator Drives Dimensions

Right Angle Shaft 9060 ▶ 9085

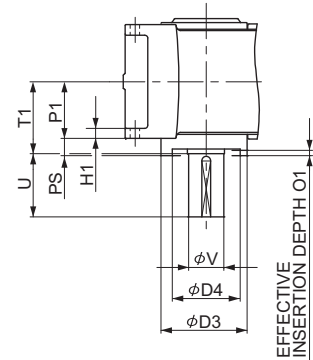
< Flange mount >



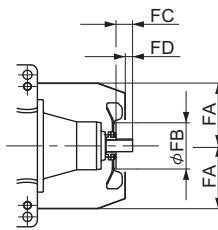
< Standard >



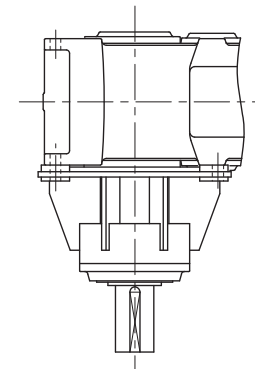
< Centering plate >



< With Fan >



< LS type >

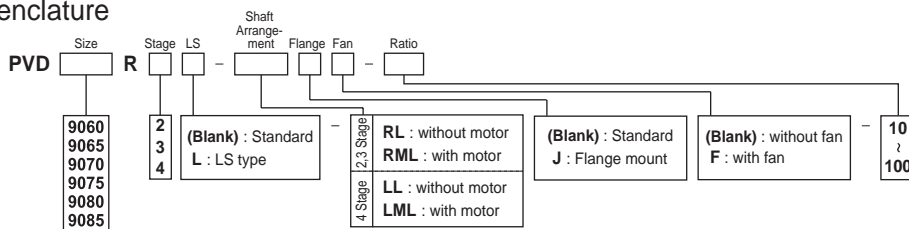


LOW SPEED SHAFT

See Page 21

SIZE	STAGE	A	B	C	D1	D2	D3	D4	E	H1	H2	PCD	K/DEPTH	L	N	NP	O1	O2	P1	P2	PS	R	S	T1	T2	U	V	W/DEPTH	X	Y	Z	FA	FB	FC	FD
9060	2	599	286	725	670	520	370h9	240	530	35	60	620	M20/30	885	272	137	8	5	190	310	45	140	60m6	230	320	210	125m6	M24/50	32	11	18	220	160	105	65
	3	599	286	829	670	520	370h9	240	530	35	60	620	M20/30	885	277.5	117	8	5	190	310	45	110	45k6	230	320	210	125m6	M24/50	32	11	18	220	160	80	52
	4	684	286	870	670	520	370h9	240	530	35	60	620	M20/30	970	277.5	117	8	5	190	310	45	80	30k6	230	320	210	125m6	M24/50	32	11	18	-	-	-	-
9065	2	645	325	771	670	520	420h9	270	600	35	60	620	M20/30	970	272	137	9	5	190	310	45	140	60m6	234	320	250	140m6	M30/60	36	12	20	220	160	105	65
	4	645	325	875	670	520	420h9	270	600	35	60	620	M20/30	970	277.5	117	9	5	190	310	45	110	45k6	234	320	250	140m6	M30/60	36	12	20	220	160	80	52
9070	2	697	323	825	670	520	420h9	270	600	40	60	620	M20/30	1020	303	137	9	5	215	340	45	140	65m8	259	350	250	145m6	M30/60	36	12	20	245	200	105	65
	3	697	323	917	670	520	420h9	270	600	40	60	620	M20/30	1020	302.5	117	9	5	215	340	45	110	50k6	259	350	250	145m6	M30/60	36	12	20	245	160	80	52
	4	792	323	1000	670	520	420h9	270	600	40	60	620	M20/30	1115	302.5	117	9	5	215	340	45	80	35k6	259	350	250	145m6	M30/60	36	12	20	-	-	-	-
9075	2	750	370	878	670	520	460h9	300	670	52	60	620	M20/30	1120	303	137	9	5	215	340	45	140	65m6	262	350	300	160m6	M30/60	40	13	22	245	200	105	65
	3	750	370	970	670	520	460h9	300	670	52	60	620	M20/30	1120	302.5	117	9	5	215	340	45	110	50k6	262	350	300	160m6	M30/60	40	13	22	245	160	80	52
	4	845	370	1053	670	520	460h9	300	670	52	60	620	M20/30	1215	302.5	117	9	5	215	340	45	80	35k6	262	350	300	160m6	M30/60	40	13	22	-	-	-	-
9080	2	790	365	940	730	560	460h9	300	670	52	70	680	M24/36	1155	323	137	9	5	230	360	50	140	75m6	282	370	300	165m6	M30/60	40	13	22	270	225	105	60
	3	790	365	1036	730	560	460h9	300	670	52	70	680	M24/36	1155	322.5	117	9	5	230	360	50	140	60m6	282	370	300	165m6	M30/60	40	13	22	270	160	105	65
	4	910	365	1140	730	560	460h9	300	670	52	70	680	M24/36	1275	322.5	117	9	5	230	360	50	110	45k6	282	370	300	165m6	M30/60	40	13	22	-	-	-	-
9085	2	846	409	996	730	560	510h9	310	750	52	70	680	M24/36	1255	323	137	9	5	230	360	50	140	75m6	285	370	300	175m6	M30/60	45	15	25	270	225	105	60
	3	846	409	1092	730	560	510h9	310	750	52	70	680	M24/36	1255	322.5	117	9	5	230	360	50	140	60m6	285	370	300	175m6	M30/60	45	15	25	270	160	105	65
	4	966	409	1196	730	560	510h9	310	750	52	70	680	M24/36	1375	322.5	117	9	5	230	360	50	110	45k6	285	370	300	175m6	M30/60	45	15	25	-	-	-	-

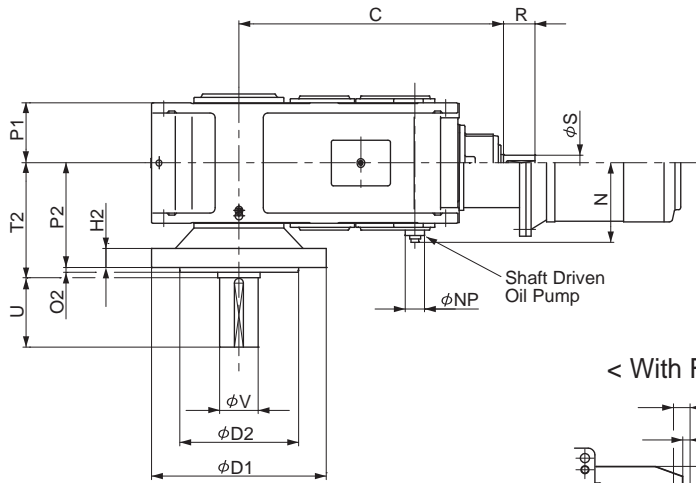
Nomenclature



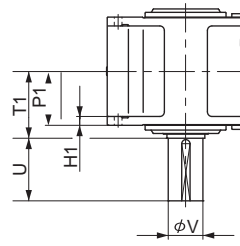
Agitator Drives Dimensions

Right Angle Shaft 9090 ▶ 9115

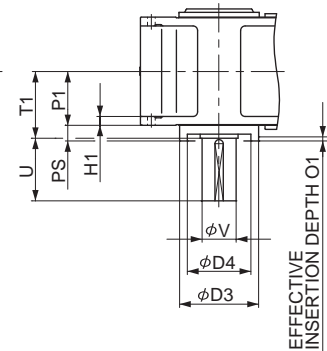
< Flange mount >



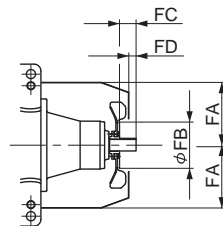
< Standard >



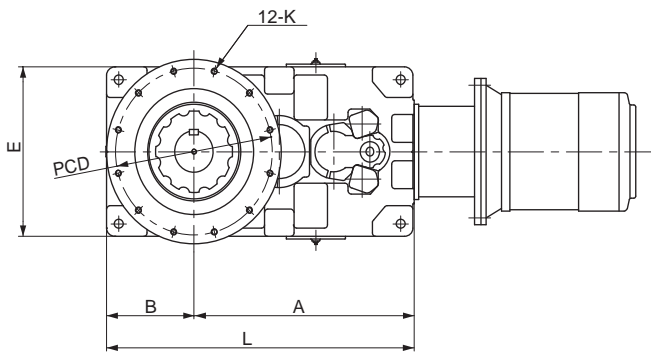
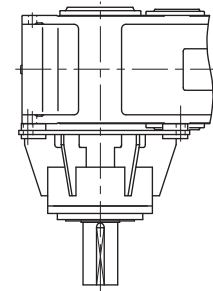
< Centering plate >



< With Fan >



< LS type >

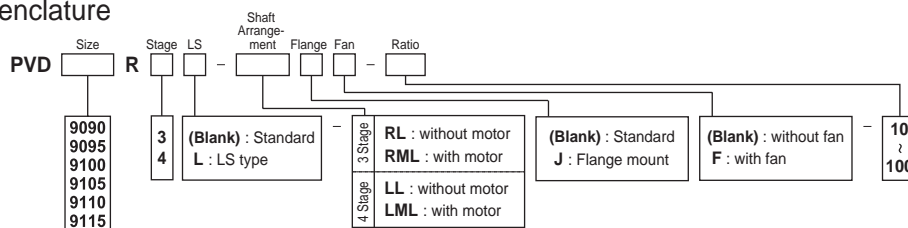


LOW SPEED SHAFT

See Page 21

SIZE	STAGE	A	B	C	D1	D2	D3	D4	E	H1	H2	PCD	K/DEPTH	L	N	NP	O1	O2	P1	P2	PS	R	S	T1	T2	U	V	W/DEPTH	X	Y	Z	FA	FB	FC	FD
9090	3	1035	405	1180	730	560	510h9	-	750	50	70	680	M24/36	1440	381	137	10	5	285	430	60	140	65m6	350	440	300	180m6	M30/60	45	15	25	340	200	105	65
	4	1035	405	1272	730	560	510h9	-	750	50	70	680	M24/36	1440	381	137	10	5	285	430	60	110	50k6	350	440	300	180m6	M30/60	45	15	25	-	-	-	-
9095	3	1065	435	1210	730	560	550h9	-	800	50	70	680	M24/36	1500	381	137	10	5	285	430	60	140	65m6	350	440	350	190m6	M30/60	45	15	25	340	200	105	65
	4	1065	435	1302	730	560	550h9	-	800	50	70	680	M24/36	1500	381	137	10	5	285	430	60	110	50k6	350	440	350	190m6	M30/60	45	15	25	-	-	-	-
9100	3	1165	445	1334	730	560	550h9	-	850	55	70	680	M24/36	1610	-	-	10	5	325	470	60	140	75m6	390	480	350	200m6	M30/60	45	15	25	380	225	105	60
	4	1165	445	1430	730	560	550h9	-	850	55	70	680	M24/36	1610	421	137	10	5	325	470	60	140	60m6	390	480	350	200m6	M30/60	45	15	25	-	-	-	-
9105	3	1200	480	1368	930	740	620h9	-	900	55	70	880	M24/36	1680	-	-	10	5	325	470	60	140	75m6	390	480	350	220m6	M30/60	50	17	28	380	225	105	60
	4	1200	480	1464	930	740	620h9	-	900	55	70	880	M24/36	1680	421	137	10	5	325	470	60	140	60m6	390	480	350	220m6	M30/60	50	17	28	-	-	-	-
9110	3	1315	495	1514	930	740	620h9	420	950	60	70	880	M24/36	1810	-	-	12	5	355	500	65	170	85m6	420	510	350	220m6	M30/60	50	17	28	410	225	135	90
	4	1315	495	1530	930	740	620h9	420	950	60	70	880	M24/36	1810	451	137	12	5	355	500	65	140	60m6	420	510	350	220m6	M30/60	50	17	28	-	-	-	-
9115	3	1365	545	1563	930	740	650h9	440	1000	60	70	880	M24/36	1910	-	-	12	5	355	500	65	170	85m6	420	510	410	240m6	M30/60	56	20	32	410	225	135	90
	4	1365	545	1579	930	740	650h9	440	1000	60	70	880	M24/36	1910	451	137	12	5	355	500	65	140	60m6	420	510	410	240m6	M30/60	56	20	32	-	-	-	-

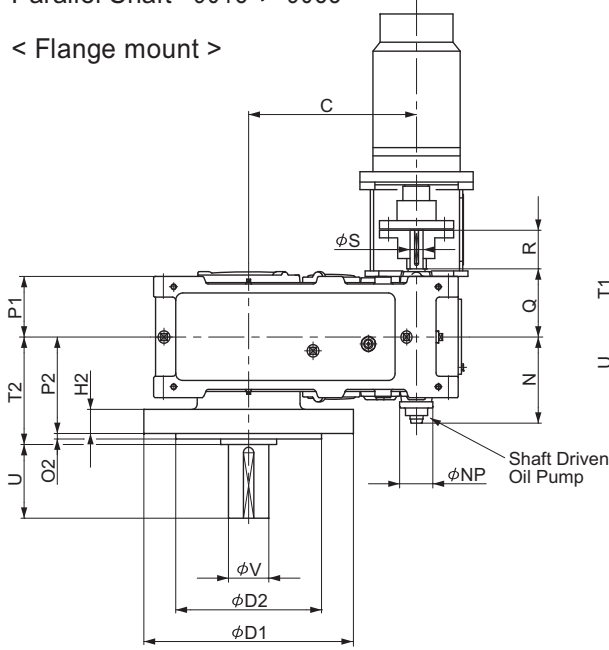
Nomenclature



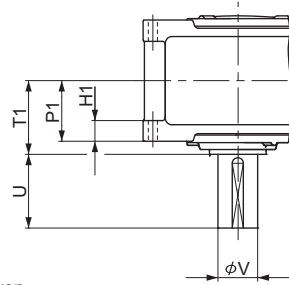
Agitator Drives Dimensions

Parallel Shaft 9015 ▶ 9055

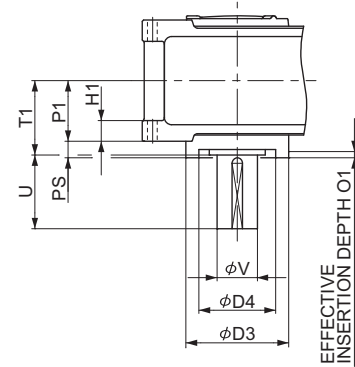
< Flange mount >



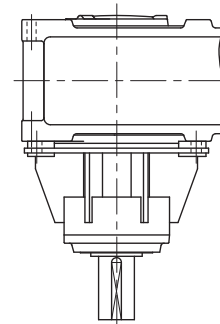
< Standard >



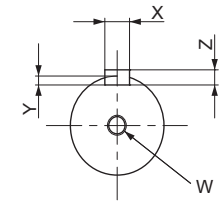
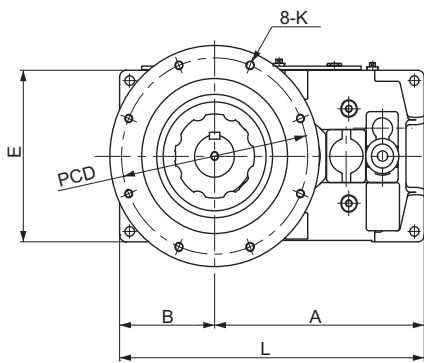
< Centering plate >



< LS type >



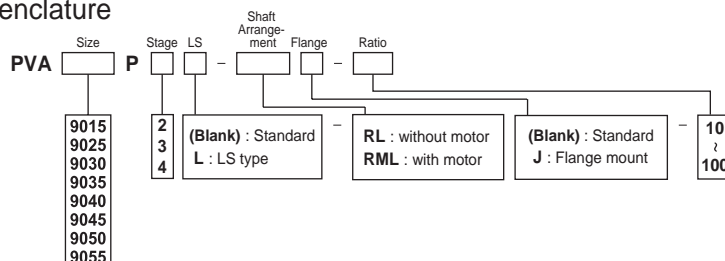
See Page 21



LOW SPEED SHAFT

SIZE	STAGE	A	B	C	D1	D2	D3	D4	E	H1	H2	PCD	K/DEPTH	L	N	NP	O1	O2	P1	P2	PS	Q	R	S	T1	T2	U	V	W/DEPTH	X	Y	Z
9015	2	280	160	194	400	310	200h9	110	270	35	35	360	M12/18	440	186	100	6	5	102.5	213	35	131	80	30k6	135	223	110	58m6	M20/42	18	7	11
	3	325	160	257	400	310	200h9	110	270	35	35	360	M12/18	485	186	100	6	5	102.5	213	35	130	60	25k6	135	223	110	58m6	M20/42	18	7	11
9025	2	330	175	227	400	310	230h9	125	310	40	35	360	M12/18	505	198.5	100	6	5	117.5	225	32.5	146	80	35k6	145	235	140	70m6	M20/42	20	7.5	12
	3	395	175	306	400	310	230h9	125	310	40	35	360	M12/18	570	198.5	100	6	5	117.5	225	32.5	144	60	28k6	145	235	140	70m6	M20/42	20	7.5	12
9030	2	390	200	264	445	340	260h9	150	320	50	50	400	M16/24	590	211	100	7	5	132.5	245	35	159	110	40k6	160	255	170	80m6	M20/42	22	9	14
	3	440	200	343	445	340	260h9	150	320	50	50	400	M16/24	640	211	100	7	5	132.5	245	35	161	80	30k6	160	255	170	80m6	M20/42	22	9	14
	4	440	200	343	445	340	260h9	150	320	50	50	400	M16/24	640	211	100	7	5	132.5	245	35	159	60	25k6	160	255	170	80m6	M20/42	22	9	14
9035	2	421	219	295	445	340	290h9	180	370	50	50	400	M16/24	640	211	100	7	5	132.5	245	35	159	110	40k6	160	255	170	90m6	M20/42	25	9	14
	3	471	219	374	445	340	290h9	180	370	50	50	400	M16/24	690	211	100	7	5	132.5	245	35	161	80	30k6	160	255	170	90m6	M20/42	25	9	14
	4	471	219	374	445	340	290h9	180	370	50	50	400	M16/24	690	211	100	7	5	132.5	245	35	159	60	25k6	160	255	170	90m6	M20/42	25	9	14
9040	2	450	235	306	565	430	290h9	180	400	60	50	515	M16/24	685	237.5	117	7	5	157.5	270	27.5	174	110	50k6	179	280	170	95m6	M24/50	25	9	14
	3	524	235	398	565	430	290h9	180	400	60	50	515	M16/24	759	228.5	100	7	5	157.5	270	27.5	176	80	35k6	179	280	170	95m6	M24/50	25	9	14
	4	524	235	398	565	430	290h9	180	400	60	50	515	M16/24	759	228.5	100	7	5	157.5	270	27.5	175	60	28k6	179	280	170	95m6	M24/50	25	9	14
9045	2	489	256	345	565	430	330h9	200	440	60	50	515	M16/24	745	237.5	117	8	5	157.5	270	32.5	174	110	50k6	181	280	210	105m6	M24/50	28	10	16
	3	563	256	437	565	430	330h9	200	440	60	50	515	M16/24	819	228.5	100	8	5	157.5	270	32.5	176	80	35k6	181	280	210	105m6	M24/50	28	10	16
	4	563	256	437	565	430	330h9	200	440	60	50	515	M16/24	819	228.5	100	8	5	157.5	270	32.5	175	60	28k6	181	280	210	105m6	M24/50	28	10	16
9050	2	520	255	358	565	430	330h9	200	420	60	50	515	M16/24	775	257.5	117	8	5	172.5	290	37.5	193	110	55m6	201	300	210	110m6	M24/50	28	10	16
	3	593	255	467	565	430	330h9	200	420	60	50	515	M16/24	848	248.5	100	8	5	172.5	290	37.5	194	110	40k6	201	300	210	110m6	M24/50	28	10	16
	4	593	255	467	565	430	330h9	200	420	60	50	515	M16/24	848	248.5	100	8	5	172.5	290	37.5	195	80	30k6	201	300	210	110m6	M24/50	28	10	16
9055	2	559	286	397	670	520	370h9	230	490	60	60	620	M20/30	845	257.5	117	8	5	172.5	290	37.5	193	110	55m6	201	300	210	120m6	M24/50	32	11	18
	3	632	286	506	670	520	370h9	230	490	60	60	620	M20/30	918	248.5	100	8	5	172.5	290	37.5	194	110	40k6	201	300	210	120m6	M24/50	32	11	18
	4	632	286	506	670	520	370h9	230	490	60	60	620	M20/30	918	248.5	100	8	5	172.5	290	37.5	195	80	30k6	201	300	210	120m6	M24/50	32	11	18

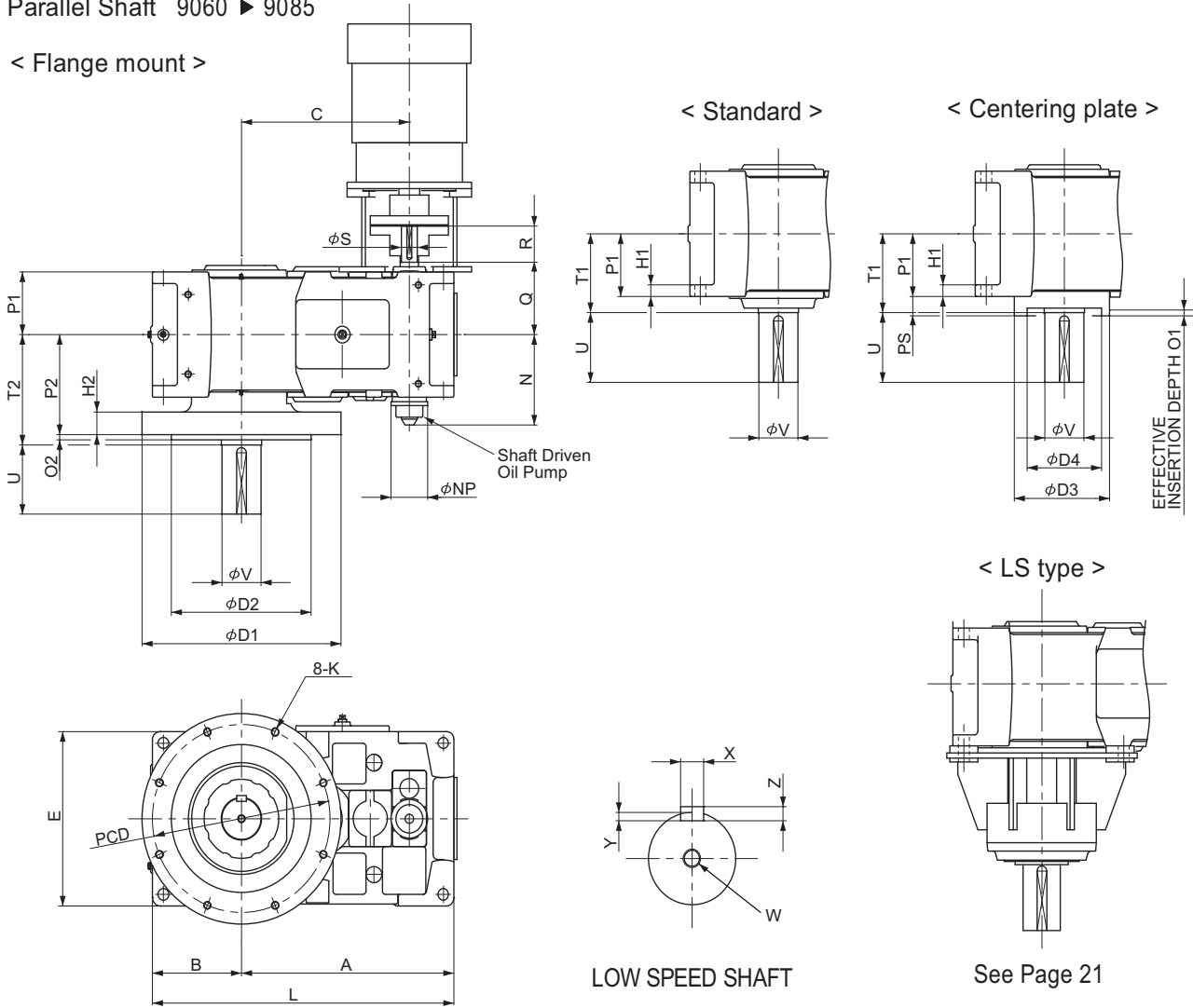
Nomenclature



Agitator Drives Dimensions

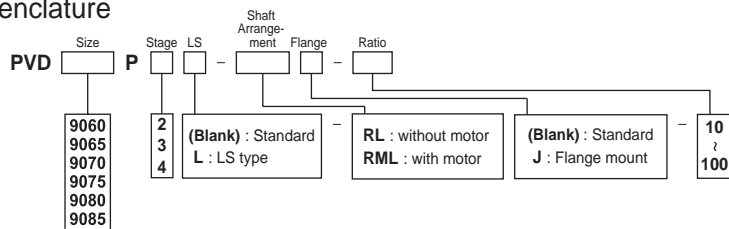
Parallel Shaft 9060 ▶ 9085

< Flange mount >



SIZE	STAGE	A	B	C	D1	D2	D3	D4	E	H1	H2	PCD	K/DEPTH	L	N	NP	O1	O2	P1	P2	PS	Q	R	S	T1	T2	U	V	W/DEPTH	X	Y	Z
9060	2	599	286	414	670	520	370h9	240	530	35	60	620	M20/30	885	277.5	117	8	5	190	310	45	220	140	65m6	230	320	210	125m6	M24/50	32	11	18
	3	684	286	540	670	520	370h9	240	530	35	60	620	M20/30	970	277.5	117	8	5	190	310	45	219	110	50k6	230	320	210	125m6	M24/50	32	11	18
	4	684	286	540	670	520	370h9	240	530	35	60	620	M20/30	970	277.5	117	8	5	190	310	45	221	80	35k6	230	320	210	125m6	M24/50	32	11	18
9065	2	645	325	460	670	520	420h9	270	600	35	60	620	M20/30	970	277.5	117	9	5	190	310	45	220	140	65m6	234	320	250	140m6	M30/60	36	12	20
	3	730	325	586	670	520	420h9	270	600	35	60	620	M20/30	1055	277.5	117	9	5	190	310	45	219	110	50k6	234	320	250	140m6	M30/60	36	12	20
9070	2	697	323	482	670	520	420h9	270	600	40	60	620	M20/30	1020	302.5	117	9	5	215	340	45	245	140	75m6	259	350	250	145m6	M30/60	36	12	20
	3	792	323	630	670	520	420h9	270	600	40	60	620	M20/30	1115	302.5	117	9	5	215	340	45	244	110	55m6	259	350	250	145m6	M30/60	36	12	20
9075	2	750	370	535	670	520	460h9	300	670	52	60	620	M20/30	1120	302.5	117	9	5	215	340	45	245	140	75m6	262	350	300	160m6	M30/60	40	13	22
	3	845	370	683	670	520	460h9	300	670	52	60	620	M20/30	1215	302.5	117	9	5	215	340	45	244	110	55m6	262	350	300	160m6	M30/60	40	13	22
9080	2	790	365	556	730	560	460h9	300	670	52	70	680	M24/36	1155	322.5	117	9	5	230	360	50	264	170	85m6	282	370	300	165m6	M30/60	40	13	22
	3	910	365	725	730	560	460h9	300	670	52	70	680	M24/36	1275	322.5	117	9	5	230	360	50	265	140	65m6	282	370	300	165m6	M30/60	40	13	22
9085	2	846	409	612	730	560	510h9	310	750	52	70	680	M24/36	1255	322.5	117	9	5	230	360	50	264	170	85m6	285	370	300	175m6	M30/60	45	15	25
	3	966	409	781	730	560	510h9	310	750	52	70	680	M24/36	1375	322.5	117	9	5	230	360	50	265	140	65m6	285	370	300	175m6	M30/60	45	15	25
	4	966	409	781	730	560	510h9	310	750	52	70	680	M24/36	1375	322.5	117	9	5	230	360	50	264	110	45k6	285	370	300	175m6	M30/60	45	15	25

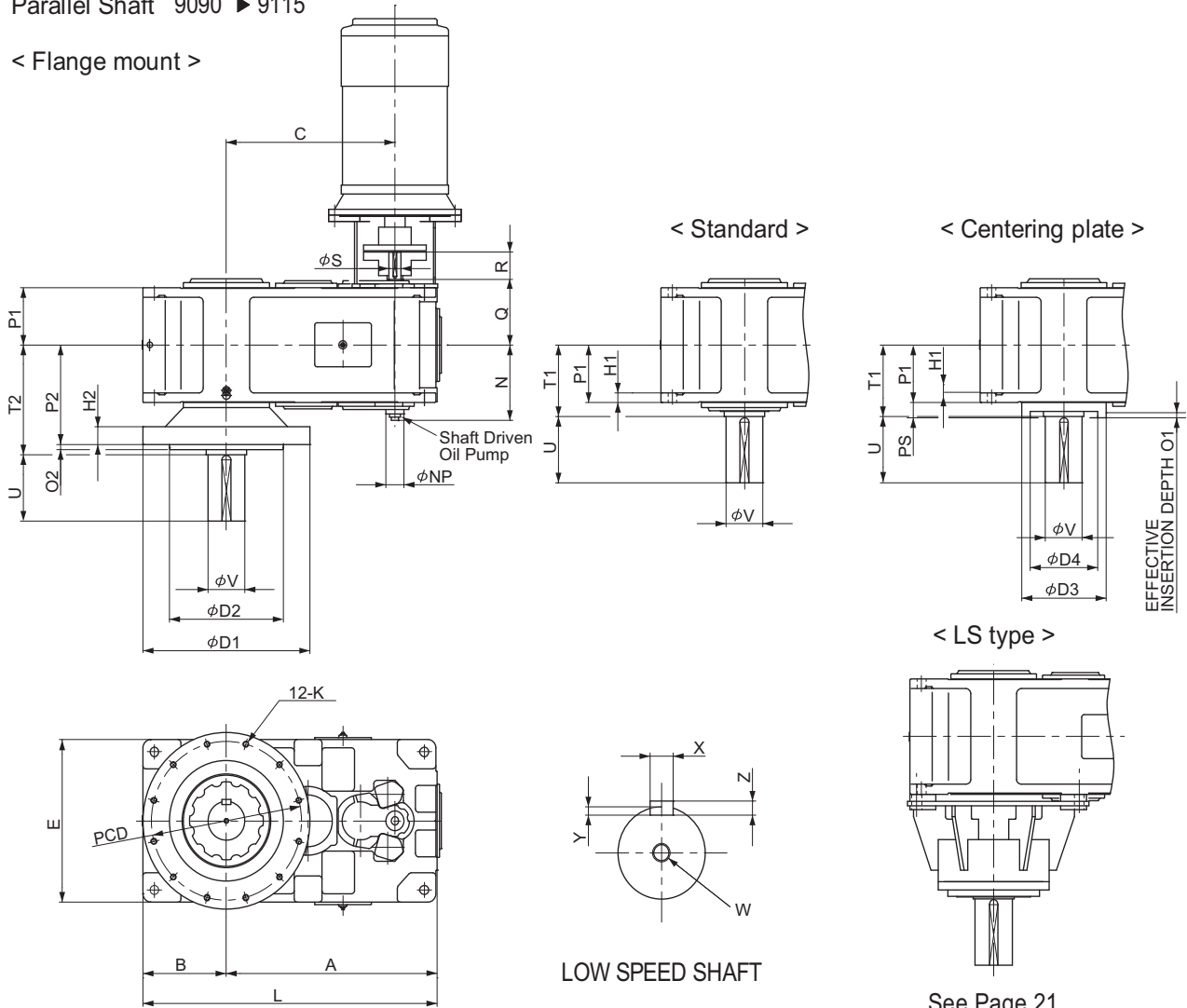
Nomenclature



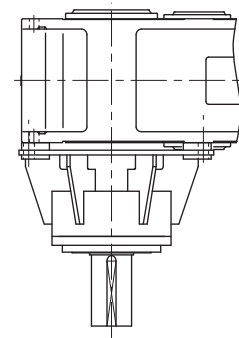
Agitator Drives Dimensions

Parallel Shaft 9090 ▶ 9115

< Flange mount >



< LS type >

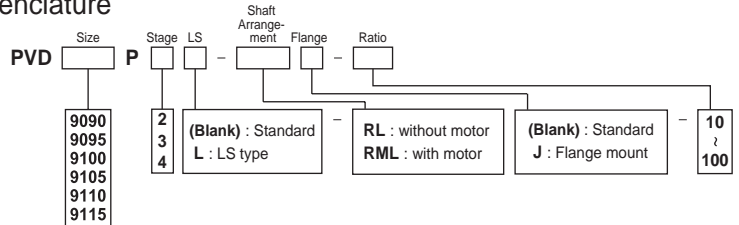


See Page 21

SIZE	STAGE	A	B	C	D1	D2	D3	D4	E	H1	H2	PCD	K/DEPTH	L	N	NP	O1	O2	P1	P2	PS	Q	R	S	T1	T2	U	V	W/DEPTH	X	Y	Z
9090	2	1035	405	640	730	560	510h9	-	750	50	70	680	M24/36	1440	*	*	10	5	285	430	60	330	170	90m6	350	440	300	180m6	M30/60	45	15	25
	3	1035	405	837	730	560	510h9	-	750	50	70	680	M24/36	1440	*	*	10	5	285	430	60	330	140	65m6	350	440	300	180m6	M30/60	45	15	25
	4	1035	405	795	730	560	510h9	-	750	50	70	680	M24/36	1440	388	137	10	5	285	430	60	330	110	50k6	350	440	300	180m6	M30/60	45	15	25
9095	2	1065	435	670	730	560	550h9	-	800	50	70	680	M24/36	1500	*	*	10	5	285	430	60	330	170	90m6	350	440	350	190m6	M30/60	45	15	25
	3	1065	435	867	730	560	550h9	-	800	50	70	680	M24/36	1500	*	*	10	5	285	430	60	330	140	65m6	350	440	350	190m6	M30/60	45	15	25
9100	2	1065	435	825	730	560	550h9	-	800	50	70	680	M24/36	1500	388	137	10	5	285	430	60	330	110	50k6	350	440	350	190m6	M30/60	45	15	25
	3	1165	445	724	730	560	550h9	-	850	55	70	680	M24/36	1610	*	*	10	5	325	470	60	375	210	100m6	390	480	350	200m6	M30/60	45	15	25
	4	1165	445	901	730	560	550h9	-	850	55	70	680	M24/36	1610	428	137	10	5	325	470	60	375	140	60m6	390	480	350	200m6	M30/60	45	15	25
9105	2	1200	480	758	930	740	620h9	-	900	55	70	880	M24/36	1680	*	*	10	5	325	470	60	375	210	100m6	390	480	350	220m6	M30/60	50	17	28
	3	1200	480	984	930	740	620h9	-	900	55	70	880	M24/36	1680	*	*	10	5	325	470	60	375	140	75m6	390	480	350	220m6	M30/60	50	17	28
	4	1200	480	935	930	740	620h9	-	900	55	70	880	M24/36	1680	428	137	10	5	325	470	60	375	140	60m6	390	480	350	220m6	M30/60	50	17	28
9110	2	1315	495	824	930	740	620h9	420	950	60	70	880	M24/36	1810	*	*	12	5	355	500	65	405	210	110m6	420	510	350	220m6	M30/60	50	17	28
	3	1315	495	1050	930	740	620h9	420	950	60	70	880	M24/36	1810	*	*	12	5	355	500	65	405	170	80m6	420	510	350	220m6	M30/60	50	17	28
	4	1315	495	1001	930	740	620h9	420	950	60	70	880	M24/36	1810	*	*	12	5	355	500	65	405	140	60m6	420	510	350	220m6	M30/60	50	17	28
9115	2	1365	545	873	930	740	650h9	440	1000	60	70	880	M24/36	1910	*	*	12	5	355	500	65	405	210	110m6	420	510	410	240m6	M30/60	56	20	32
	3	1365	545	1099	930	740	650h9	440	1000	60	70	880	M24/36	1910	*	*	12	5	355	500	65	405	170	80m6	420	510	410	240m6	M30/60	56	20	32
	4	1365	545	1050	930	740	650h9	440	1000	60	70	880	M24/36	1910	*	*	12	5	355	500	65	405	140	60m6	420	510	410	240m6	M30/60	56	20	32

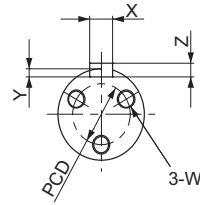
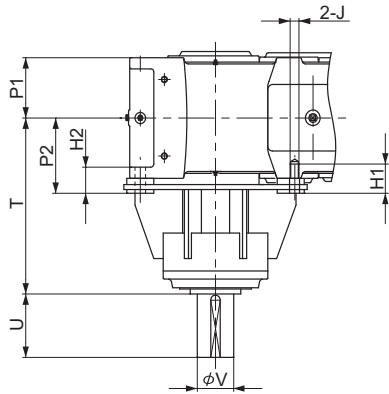
* : Motorized Oil Pump. please consult us for detail information.

Nomenclature

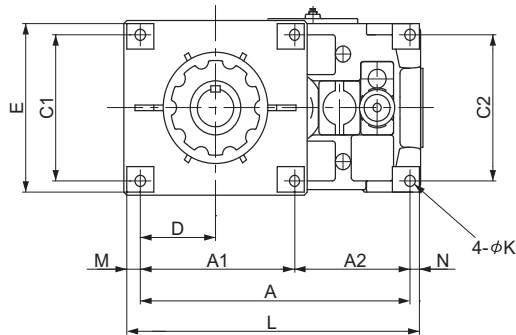


Agitator Drives Dimensions

LS type Drop Bearing Housing 9060 ▶ 9115



LOW SPEED SHAFT



SIZE	HOUS. TYPE*	A	A1	A2	C1	C2	D	E	H1	H2	J	K	L	M	P1	P2	T	U	V	PCD	W/DEPTH	X	Y	Z
9060	M	815	515	300	460	460	251	530	93	83	M30	35	885	35	190	238	550	250	150m6	95	M24/50	36	12	20
	L	900	515	385	460	460	251	530	93	83	M30	35	970	35	190	238	550	250	150m6	95	M24/50	36	12	20
9065	M	900	-	-	530	530	290	600	-	83	-	35	970	35	190	238	550	250	170m6	110	M24/50	40	13	22
	L	985	-	-	530	530	290	600	-	83	-	35	1055	35	190	238	550	250	170m6	110	M24/50	40	13	22
9070	M	940	590	350	520	520	283	600	94	94	M36	42	1020	40	215	269	600	300	170m6	110	M24/50	40	13	22
	L	1035	590	445	520	520	283	600	94	94	M36	42	1115	40	215	269	600	300	170m6	110	M24/50	40	13	22
9075	M	1040	646	394	590	590	330	670	94	94	M36	42	1120	40	215	269	600	300	180m6	110	M24/50	45	15	25
	L	1135	646	489	590	590	330	670	94	94	M36	42	1215	40	215	269	600	300	180m6	110	M24/50	45	15	25
9080	M	1075	687	388	590	590	325	670	112	114	M36	42	1155	40	230	292	650	350	190m6	130	M24/50	45	15	25
	L	1195	687	508	590	590	325	670	112	114	M36	42	1275	40	230	292	650	350	190m6	130	M24/50	45	15	25
9085	M	1175	738	437	670	670	369	750	112	114	M36	42	1255	40	230	292	650	350	190m6	130	M24/50	45	15	25
	L	1295	738	557	670	670	369	750	112	114	M36	42	1375	40	230	292	650	350	190m6	130	M24/50	45	15	25
9090	-	1320	723	597	630	630	345	730	145	140	M36	42	1420	50	285	375	820	350	200m6	145	M30/60	45	15	25
9095	-	1380	783	597	680	680	375	780	145	140	M36	42	1480	50	285	375	820	350	220m6	150	M30/60	50	17	28
9100	-	1470	800	670	710	710	375	830	160	150	M42	48	1590	60	325	420	890	350	220m6	150	M30/60	50	17	28
9105	-	1540	869	671	760	760	410	880	160	150	M42	48	1660	60	325	420	890	350	240m6	170	M30/60	56	20	32
9110	-	1660	903	757	800	800	420	930	175	160	M48	56	1790	65	355	455	960	410	240m6	170	M30/60	56	20	32
9115	-	1760	1002	758	850	850	470	980	175	160	M48	56	1890	65	355	455	960	410	260m6	190	M30/60	56	20	32

* : Refer to the below table for the "HOUS. TYPE"

Shaft position	Number of gear stages		
	2	3	4
Parallel	M	L	L
Right angle	M	M	L

Worldwide Sumitomo Network

U.S.A.

Sumitomo Machinery Corporation of America
4200 Holland Blvd.,
Chesapeake, VA 23323
Tel : (1)757-485-3355
Fax: (1)757-487-3193

Canada

SM-Cyclo of Canada, Ltd.
870 Equestrian Court Oakville,
Ontario, Canada L6L 6L7
Tel : (1)905-469-1050
Fax: (1)905-469-1055

Mexico

SM-Cyclo De Mexico, S.A. de C.V.
Calle "C" No. 506A Parque Industrial
Almacentro Apodaca, N. L., Mexico 66600
Tel : (52)81-8369-3697
Fax: (52)81-8369-3699

Brazil

SM-Cyclo Redutores Do Brasil Ltda.
Av. Fagundes Filho, 191 Metro Sao Judas
Edificio Houston-Sala H123 Sao Paulo-SP
Brazil 04304-010
Tel : (55)11-5585-3600
Fax: (55)11-5585-9990

Chile

SM-Cyclo De Chile, Ltda.
San Pablo Ave, 3507 Quinta Normal,
Santiago, Chile
Tel : (56)2-786-6963
Fax: (56)2-786-6964

Argentina

SM-Cyclo De Argentina S.A.
Montes de Oca #6719, (B1606BMG) Munro,
Buenos Aires, Argentina
Tel : (54)11-4765-5288
Fax: (54)11-4765-5517

United Kingdom

Sumitomo (SHI) Cyclo Drive Europe, Ltd.
Marfleet Kingston upon Hull HU9 5RA,
United Kingdom
Tel : (44)1482-788022
Fax: (44)1482-713205

SM-Cyclo U.K. Ltd.

Marfleet Kingston Upon Hull HU9 5RA,
United Kingdom
Tel : (44)1482-790340
Fax: (44)1482-790321

France

SM-Cyclo France E.U.R.L.
65/75 Avenue Jean Mermoz
F-93126 La Courneuve France
Tel : (33)149-929494
Fax: (33)149-929490

Italy

SM-Cyclo Italy Srl.
Via dell' Artigianato 231-20010
Cornaredo (Mi), Italy
Tel : (39)02-9356-2121
Fax: (39)02-9356-9893

Netherlands

SM-Cyclo Benelux BV
Den Engelsman 16D NL-6026 RB
Maarheeze The Netherlands
Tel : (31)495599777
Fax: (31)495593177

Sweden

SM-Cyclo Scandinavia AB
Företagsvägen 30A S-232 37
Ärlöv Sweden
Tel : (46)40430220
Fax: (46)40431001

Spain

SM-Cyclo Iberia,S.L.
C/Landabarri N°4 Escalera 1, 2ªizqda Leioa
48940 Vizcaya Spain
Tel : (34)944-805 389
Fax: (34)944-801 550

Germany

Sumitomo (SHI) Cyclo Drive Germany, GmbH
Cyclostraße 92
D-85229 Markt Indersdorf
Tel : (49)8136-66-0
Fax: (49)8136-5771

Austria

SCG Branch Austria Office
Gruentaler straÙe, 30a A-4028 Linz, Austria
Tel : (43)732-330 958
Fax: (43)732-331 978

China

Sumitomo (SHI) Cyclo Drive China, Ltd.
26F, Raffles City, No.268 Xizang
Road Central, Shanghai, 200001 China
Tel : (86)21-6340-4000
Fax: (86)21-6340-3673

Hong Kong

SM-Cyclo of Hong Kong Co., Ltd.
Unit 1802, 18/F., Park Building, 476
Castle Peak Road, Kowloon, Hong Kong
Tel : (852)3529-2093
Fax: (852)2460-1882

Singapore

Sumitomo (SHI) Cyclo Drive
Asia Pacific Pte. Ltd.
No.36 Tuas South Street 3,
Singapore 638031
Tel : (65)6863-2238
Fax: (65)6863-4238

Malaysia

SM-Cyclo of Malaysia Sdn. Bhd.
NO.2, Jalan BP 4/1,
Bandar Bukit Puchong, 47100 Puchong,
Selangor Darul Ehsan, Malaysia.
Tel : (60)3-80612909
Fax: (60)3-80613909

Thailand

SM-Cyclo of Thailand Co., Ltd.
195, Empire Tower
Unit 1504, 15th Floor
South Sathorn Road, Yannawa Sathorn
Bangkok 10120, Thailand
Tel : (66)2-670-0998
Fax: (66)2-670-0999

Vietnam

Representative Office
4th Floor, 99 Nguyen Thi Minh Khai St.
Ward Ben Thanh, District 1, HCM City, Vietnam
Tel : (84)8-925-6504
Fax: (84)8-925-6505

Australia

SM-Cyclo of Australia Pty., Ltd.
9 Holbeck Rd., Arndell Park, NSW, 2148
Tel : (61)2-8811-6555
Fax: (61)2-8811-6500

Philippines

Representative Office
Unit 23E Burgundy Corporate Tower
252 Sen. Gil Puyat Ave. Makati City
Tel : (63)2-888-5866
Fax: (63)2-843-0021

India

SCA Liaison Office
759/17, Ramkripa Apartment, Flat No.2,
First Floor Capt. A. Ranade Path,
Deccan Gymkhana, Pune 411004,
Maharashtra,India
Tel : (91)20-2565-3760
Fax: (91)20-2565-3755

Taiwan

Tatung SM-Cyclo Co., Ltd.
22 Chungshan N. Road.,
3rd Sec. Taipei,
Taiwan, 104 R.O.C.
Tel : (886)2-8676-1382
Fax: (886)2-8676-2285

Korea

SM-Cyclo of Korea Co., Ltd.
Royal Bldg. 9F Rm. 913,
5 Dangju-dong Chongro-ku,
Seoul,
Korea 110-721
Tel : (82)2-730-0151
Fax: (82)2-730-0156

Japan

Sumitomo Heavy Industries, Ltd.
9-11, Kitashinagawa 5-Chome
Shinagawa-Ku, Tokyo 141-8686, Japan
Tel : (81)3-5488-8363
Fax: (81)3-5488-8365